

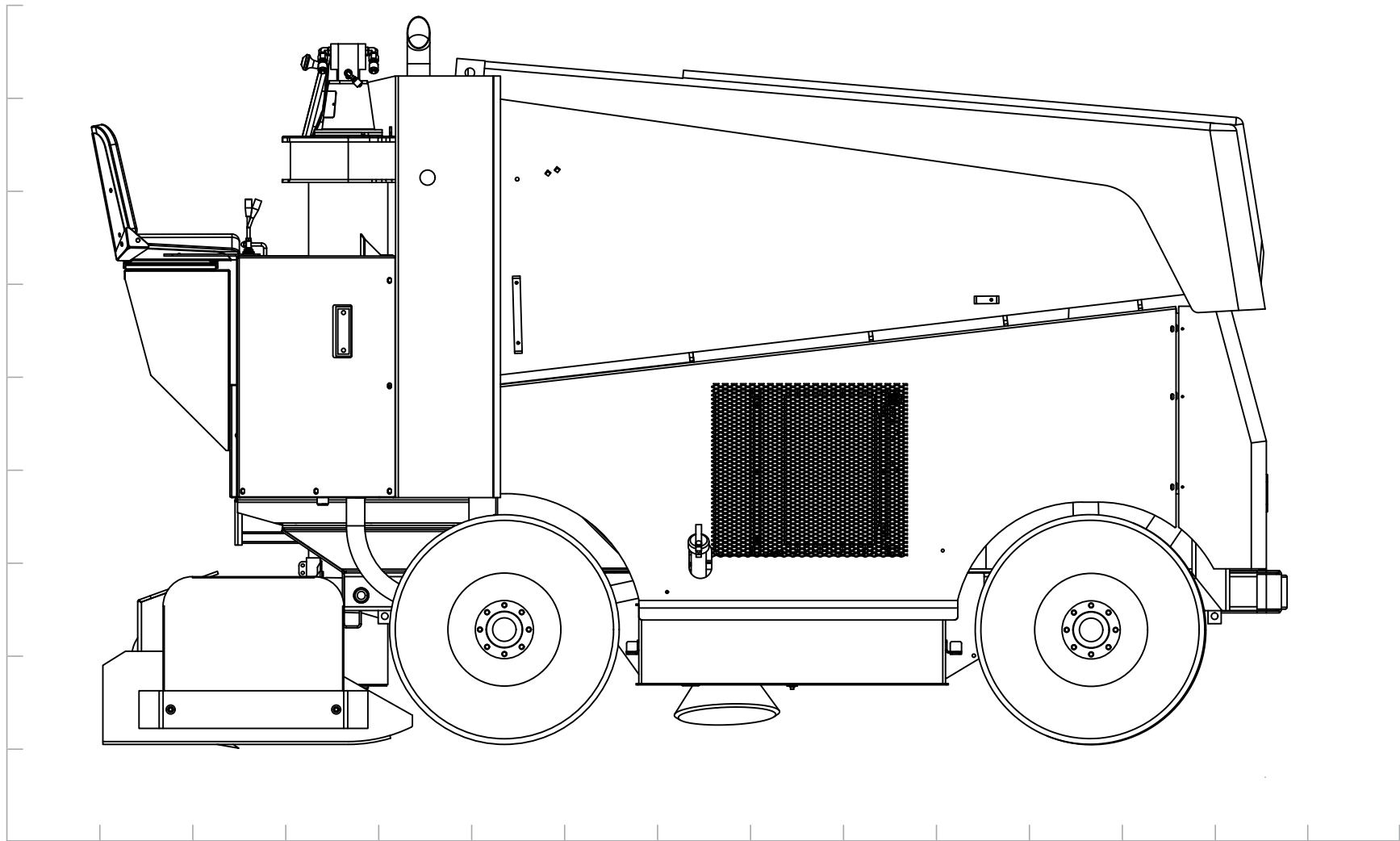
1 ft / 30.48 cm

Machine Line Drawings for Reference

ZAMBONI

©Zamboni Company. ZAMBONI and the configuration of the Zamboni® ice resurfacing machine are registered trademarks of Frank J. Zamboni & Co., Inc.

**MODEL
710**



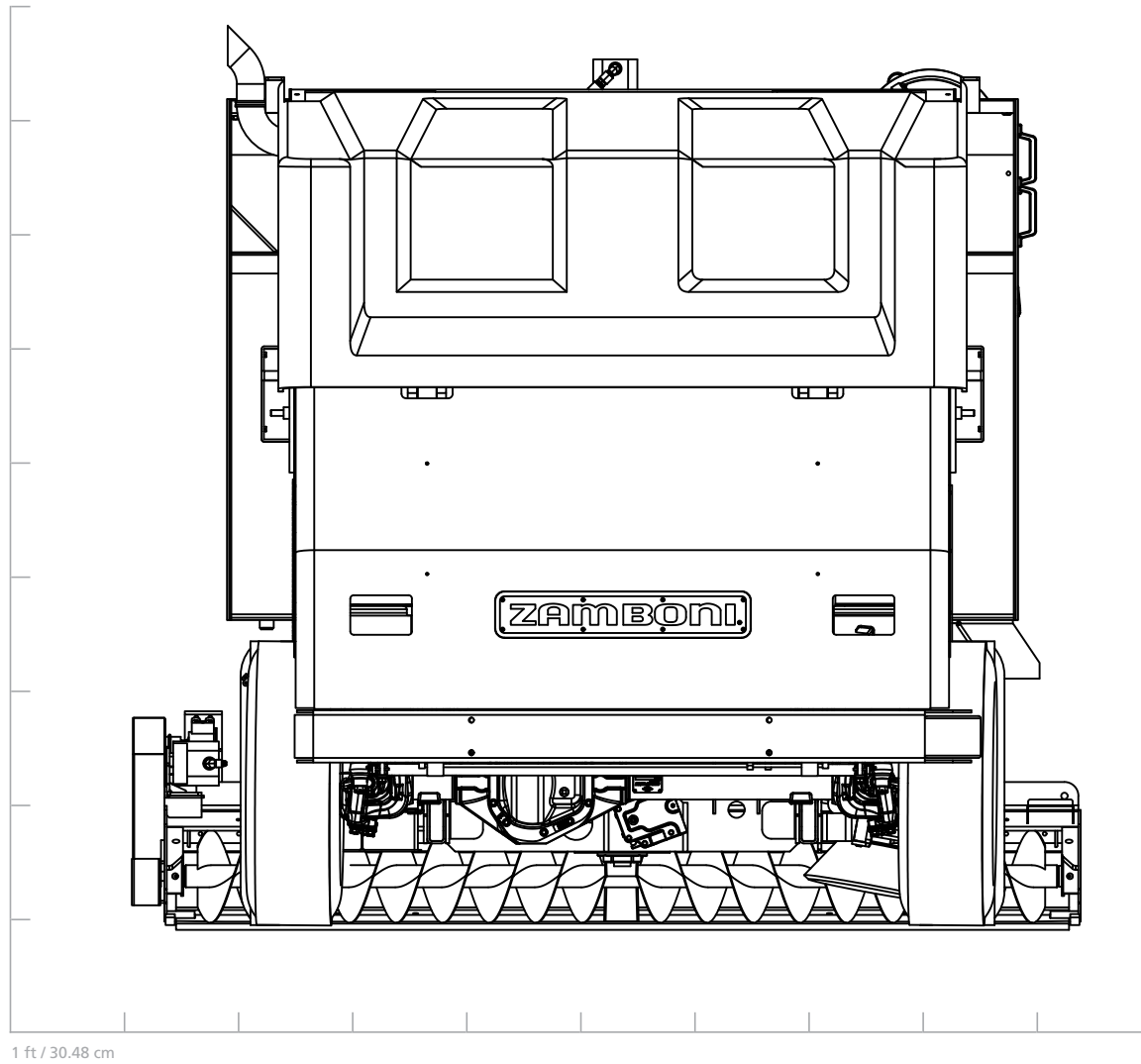
1 ft / 30.48 cm

Machine Line Drawings for Reference

ZAMBONI

©Zamboni Company. ZAMBONI and the configuration of the Zamboni® ice resurfacing machine are registered trademarks of Frank J. Zamboni & Co., Inc.

**MODEL
710**

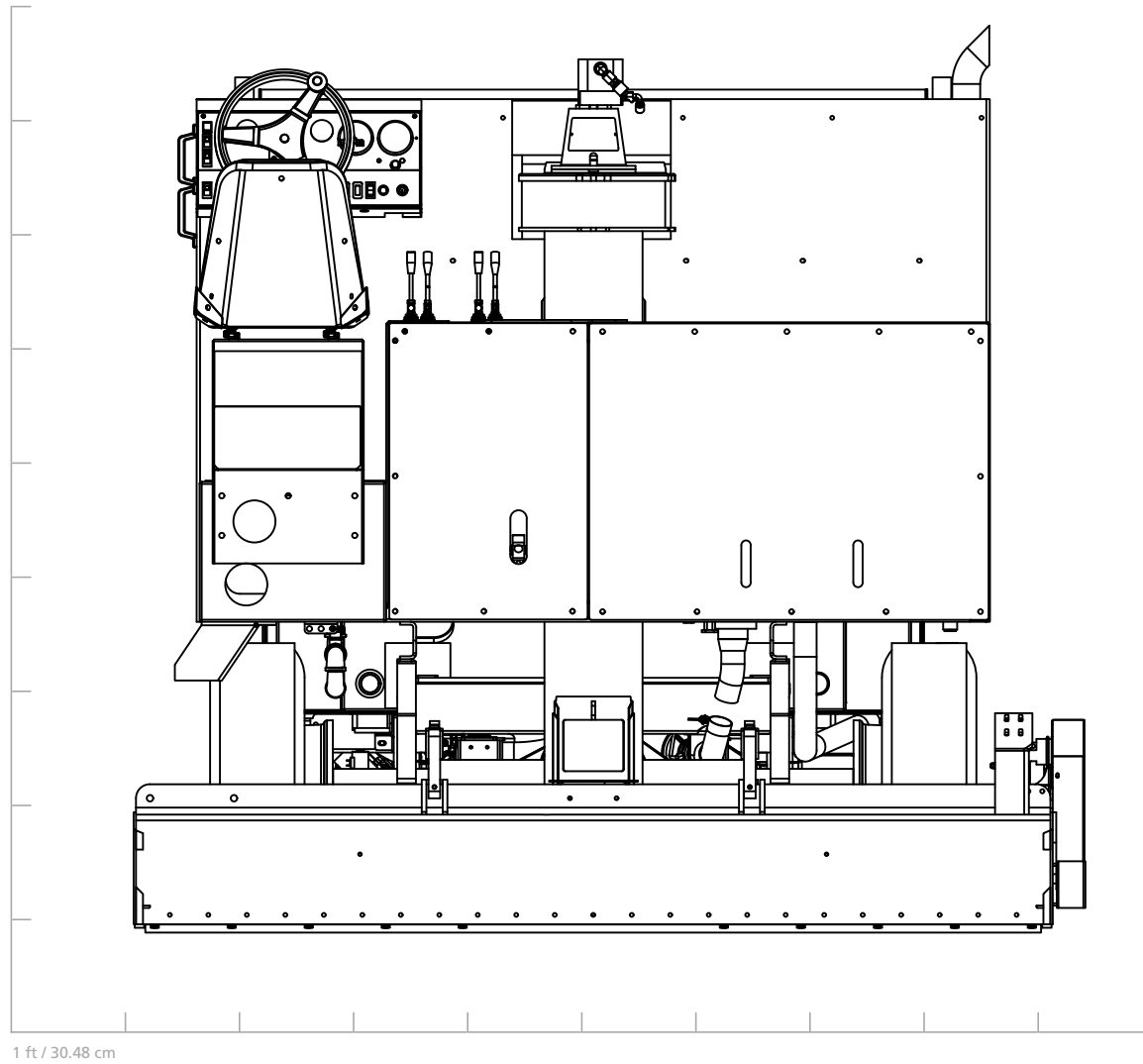


Machine Line Drawings for Reference

ZAMBONI

©Zamboni Company. ZAMBONI and the configuration of the Zamboni® ice resurfacing machine are registered trademarks of Frank J. Zamboni & Co., Inc.

**MODEL
710**

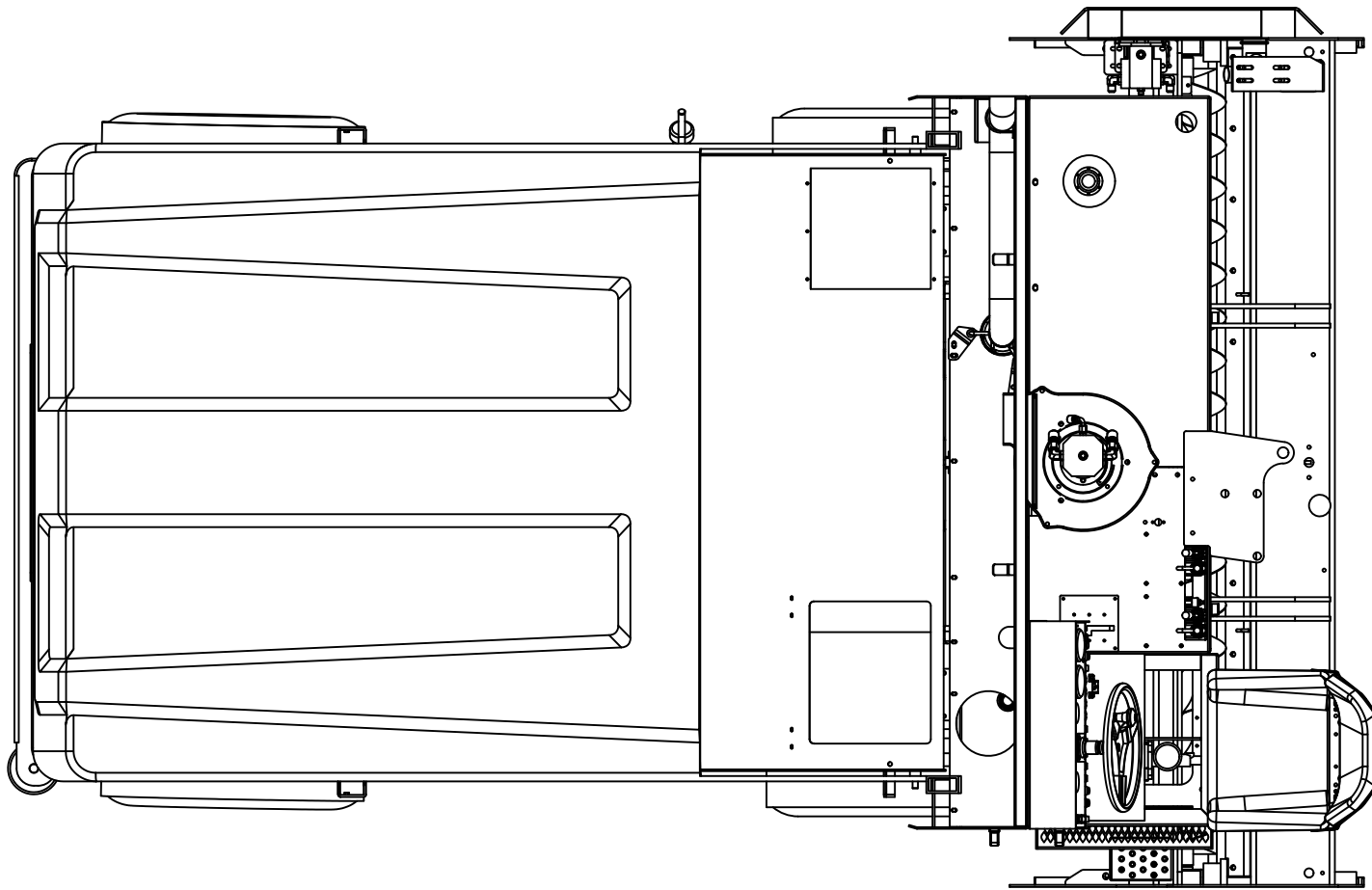


Machine Line Drawings for Reference

ZAMBONI

©Zamboni Company. ZAMBONI and the configuration of the Zamboni® ice resurfacing machine are registered trademarks of Frank J. Zamboni & Co., Inc.

**MODEL
710**



1 ft / 30.48 cm

Machine Line Drawings for Reference

ZAMBONI

©Zamboni Company. ZAMBONI and the configuration of the Zamboni® ice resurfacing machine are registered trademarks of Frank J. Zamboni & Co., Inc.

**MODEL
710**

These references should be considered as approximate so for accurate measurements, you should examine and measure the machine you intend to wrap/decals. **Some machines are equipped with optional features such as an enclosed cab which requires additional considerations.**

All safety labels should be left uncovered or replaced once the wrap/decals is in place.

Should you have any questions, please feel free to contact us.

ZAMBONI

©Zamboni Company. ZAMBONI and the configuration of the Zamboni® ice resurfacing machine are registered trademarks of Frank J. Zamboni & Co., Inc.

**MODEL
710**