

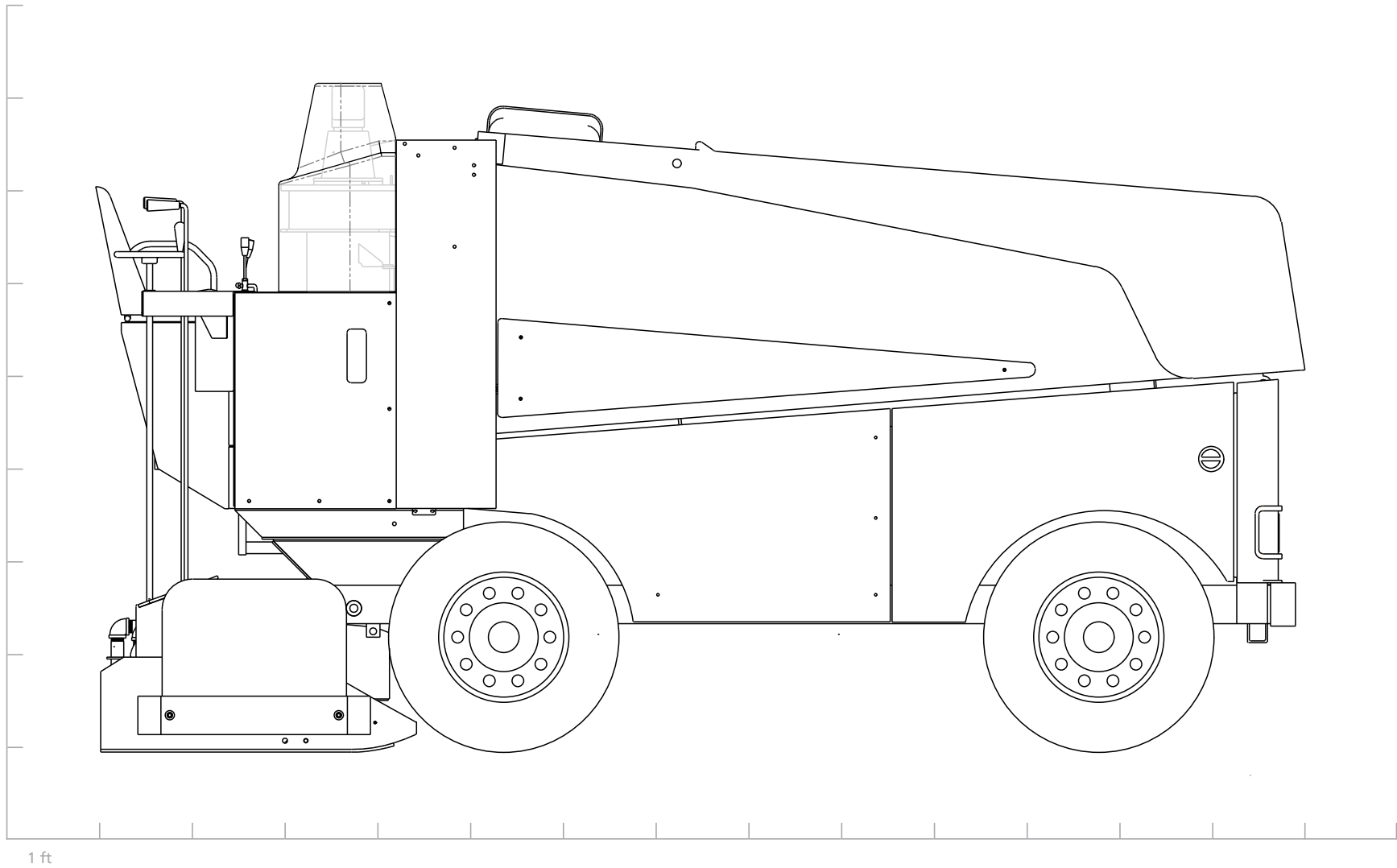
1 ft

Machine Line Drawings for Reference

ZAMBONI

©Zamboni Company. ZAMBONI and the configuration of the Zamboni® ice resurfacing machine are registered trademarks of Frank J. Zamboni & Co., Inc.



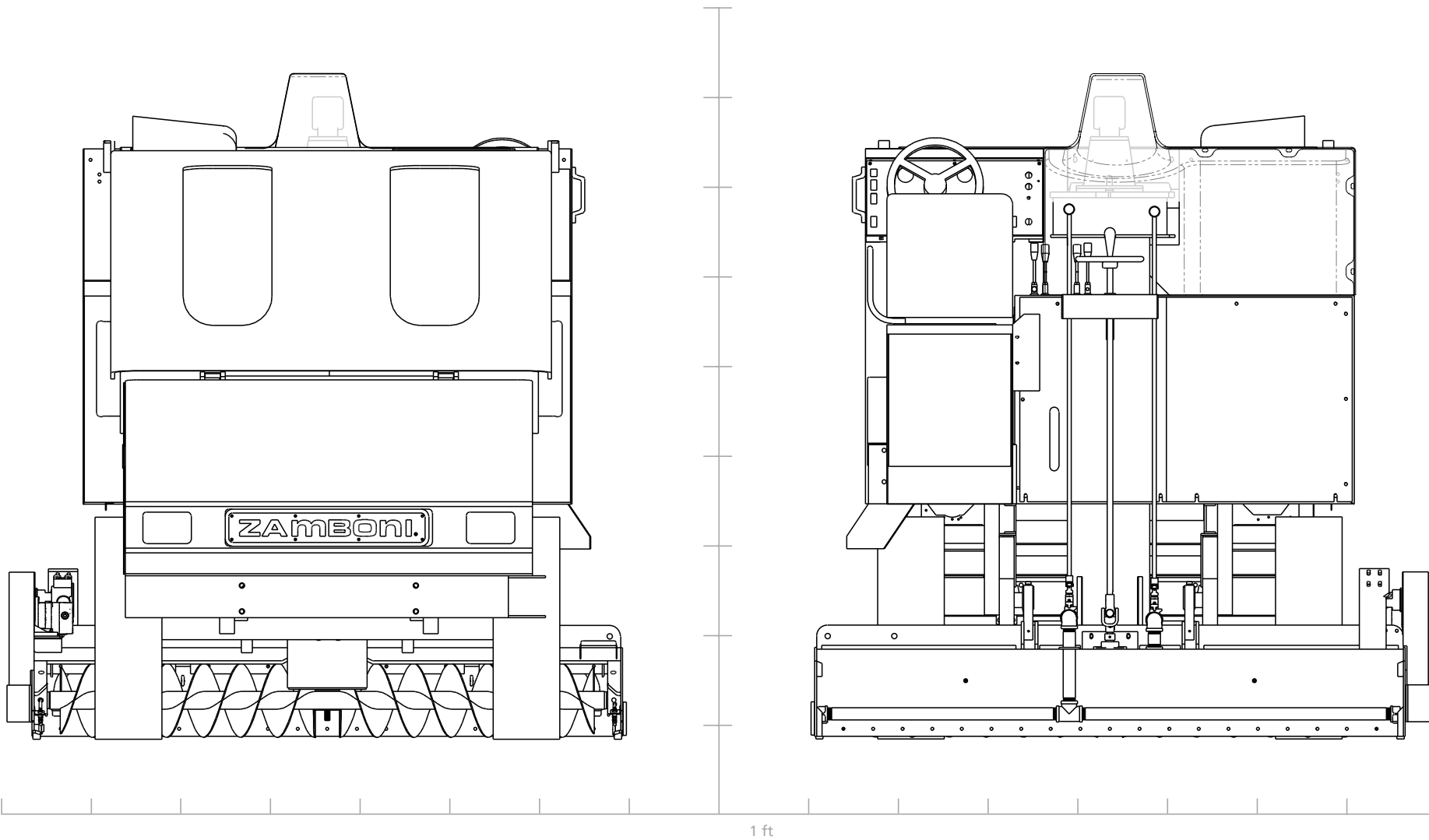


Machine Line Drawings for Reference

ZAMBONI

©Zamboni Company. ZAMBONI and the configuration of the Zamboni® ice resurfacing machine are registered trademarks of Frank J. Zamboni & Co., Inc.



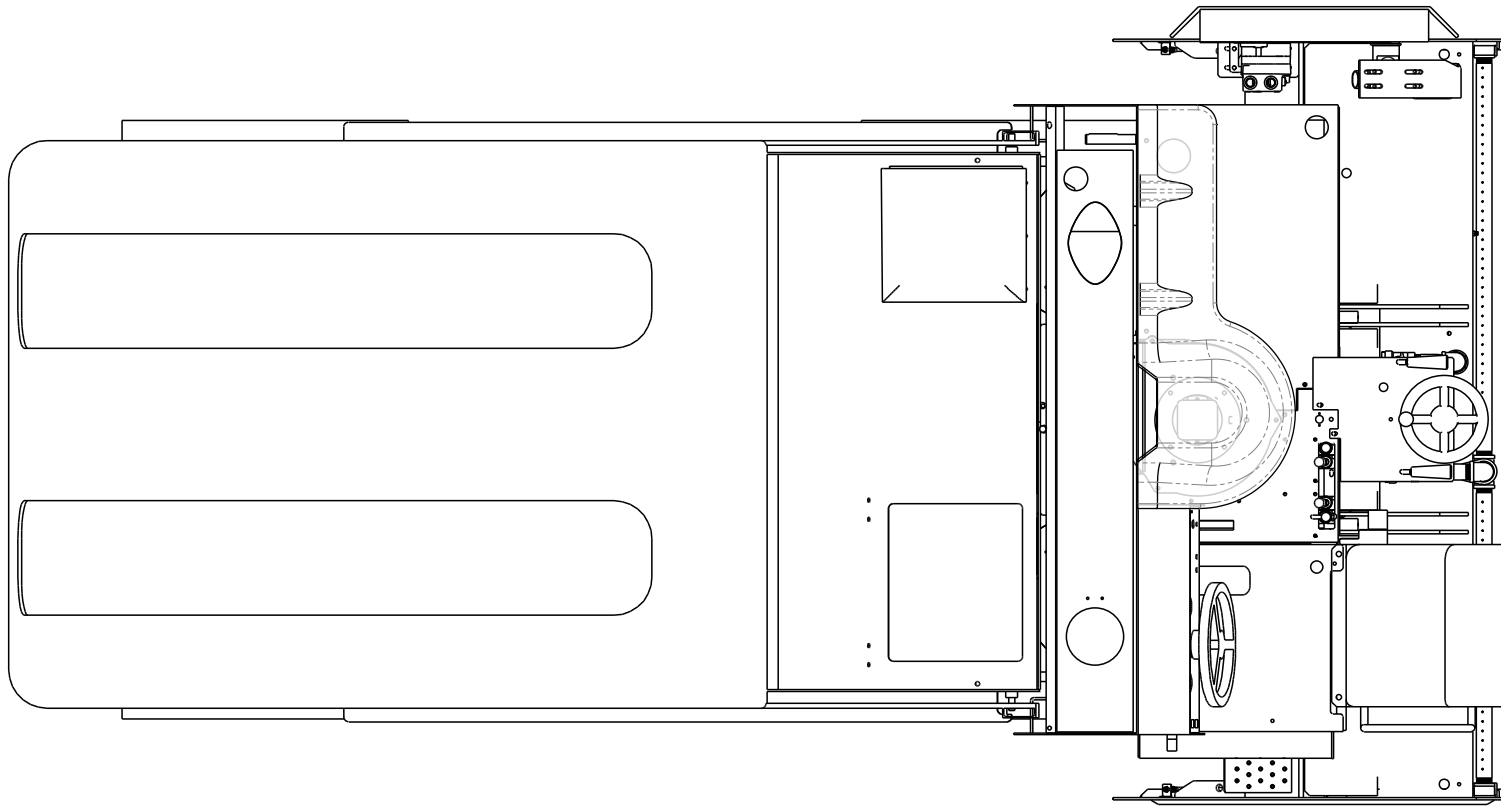


Machine Line Drawings for Reference

ZAMBONI

©Zamboni Company. ZAMBONI and the configuration of the Zamboni® ice resurfacing machine are registered trademarks of Frank J. Zamboni & Co., Inc.





1 ft

Machine Line Drawings for Reference

ZAMBONI

©Zamboni Company. ZAMBONI and the configuration of the Zamboni® ice resurfacing machine are registered trademarks of Frank J. Zamboni & Co., Inc.



These references should be considered as approximate so for accurate measurements, you should examine and measure the machine you intend to wrap/decal.

Following are some of the notable differences between our 500 Series machines:

- seat support assembly
- dash
- vertical auger housing cover
- fiberglass lid indents
- fiberglass side covers

Some machines may have a plow mounting apparatus on the front which may obscure part of the front panel. All safety labels should be left uncovered or replaced once the wrap/decal is in place.

Should you have any questions, please feel free to contact us.

ZAMBONI

©Zamboni Company. ZAMBONI and the configuration of the Zamboni® ice resurfacing machine are registered trademarks of Frank J. Zamboni & Co., Inc.

