

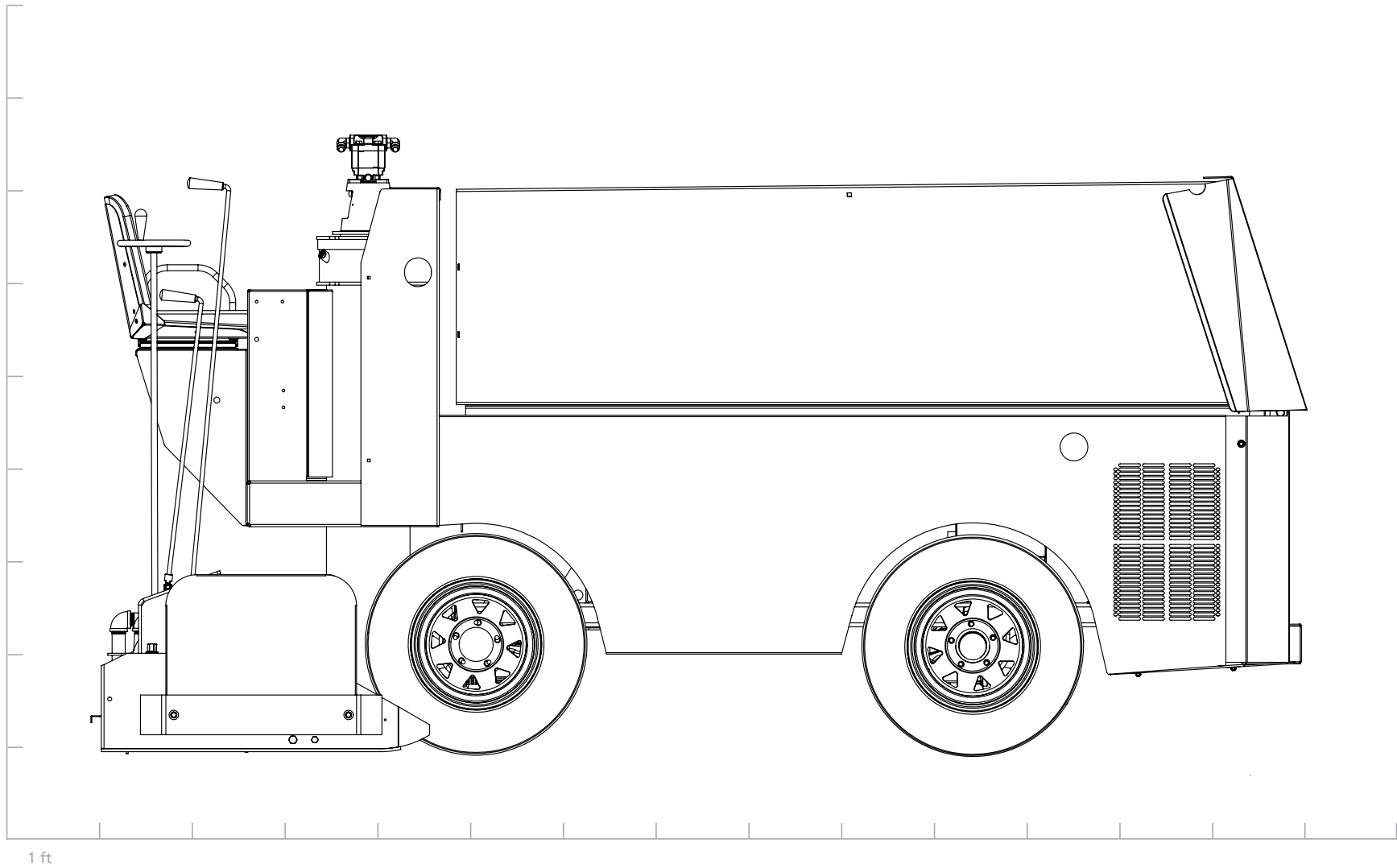
1 ft

Machine Line Drawings for Reference

ZAMBONI

©Zamboni Company. ZAMBONI and the configuration of the Zamboni® ice resurfacing machine are registered trademarks of Frank J. Zamboni & Co., Inc.

MODEL 440
MODEL 445
MODEL 446

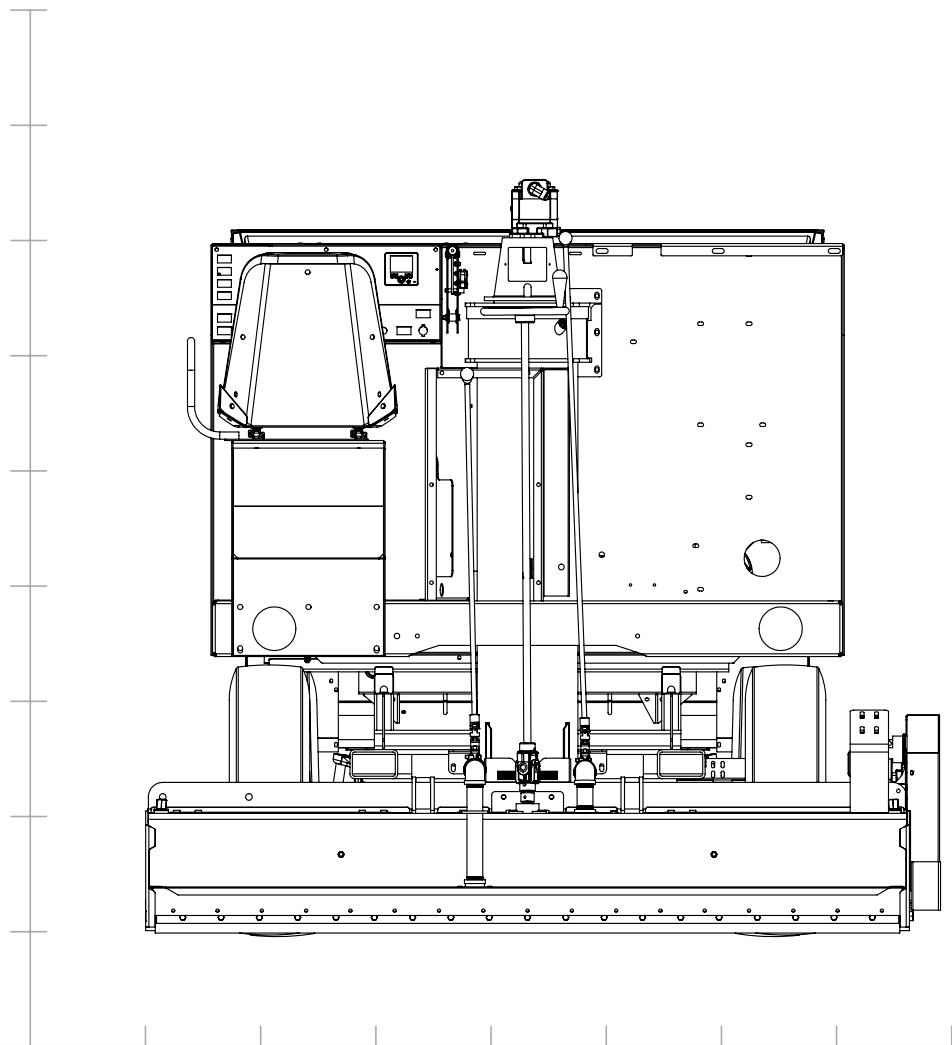
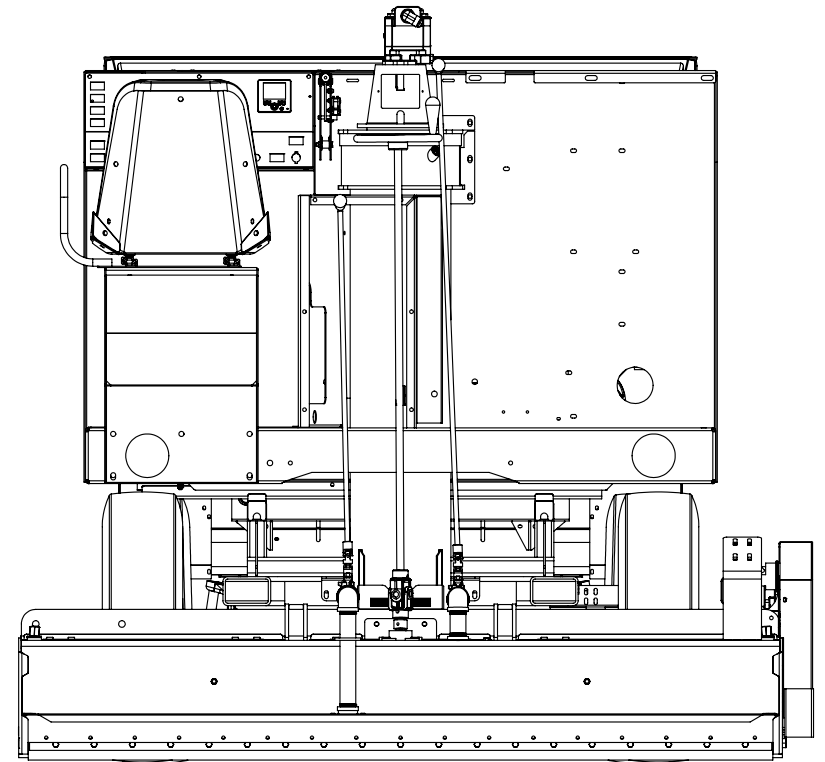
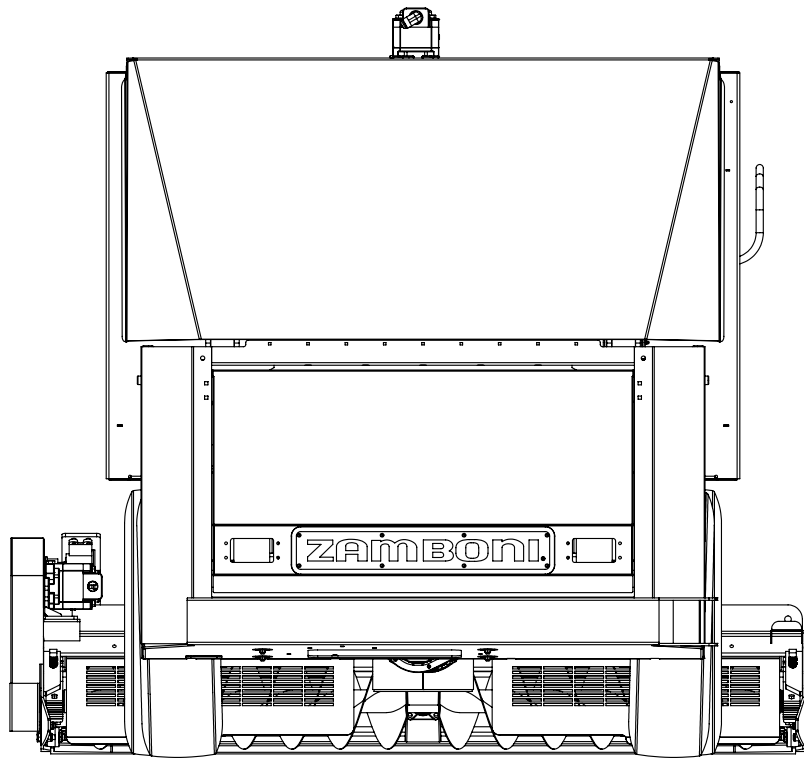


Machine Line Drawings for Reference

ZAMBONI

©Zamboni Company. ZAMBONI and the configuration of the Zamboni® ice resurfacing machine are registered trademarks of Frank J. Zamboni & Co., Inc.

MODEL 440
MODEL 445
MODEL 446



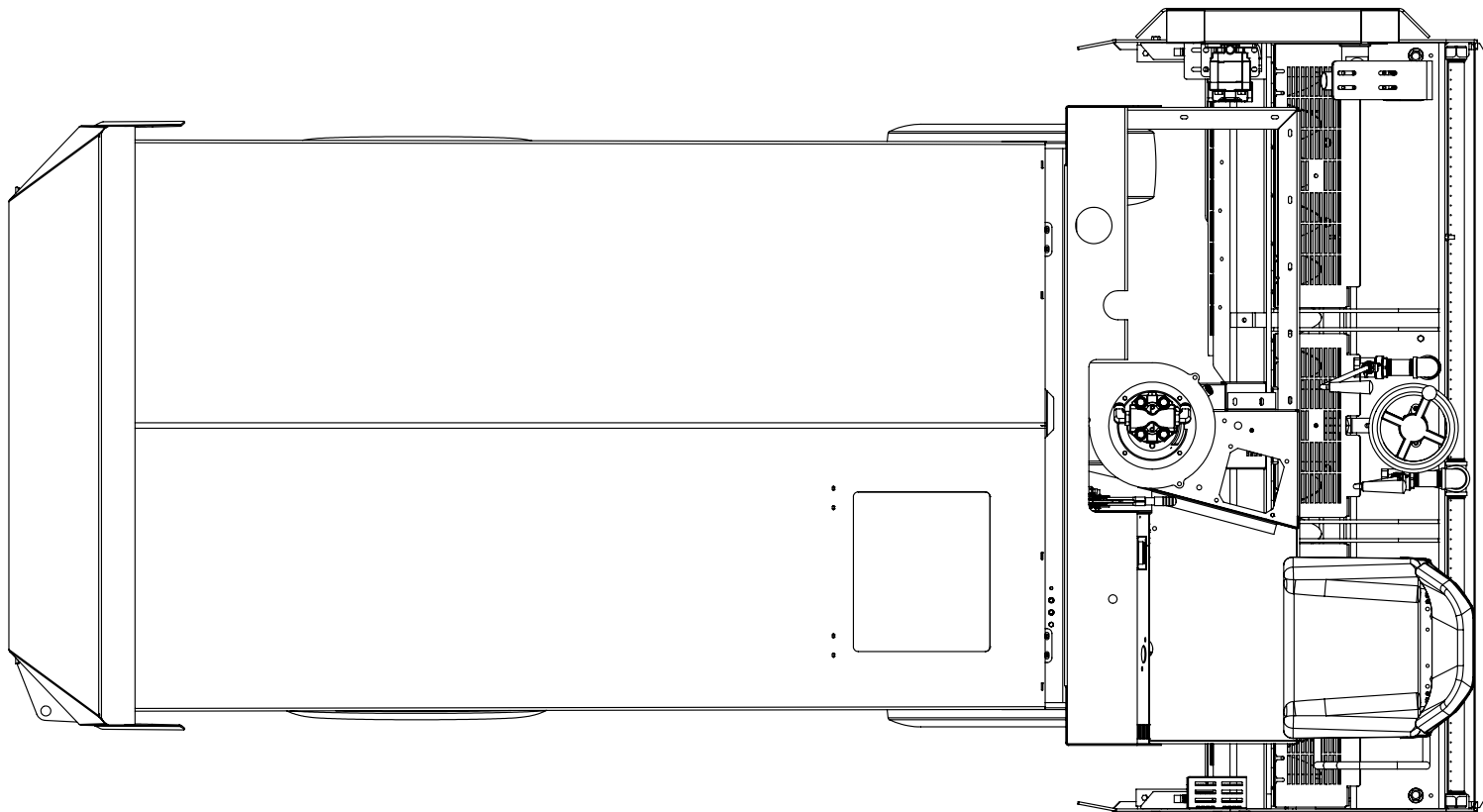
1 ft

Machine Line Drawings for Reference

ZAMBONI

©Zamboni Company. ZAMBONI and the configuration of the Zamboni® ice resurfacing machine are registered trademarks of Frank J. Zamboni & Co., Inc.

MODEL 440
MODEL 445
MODEL 446



1 ft

Machine Line Drawings for Reference

ZAMBONI

©Zamboni Company. ZAMBONI and the configuration of the Zamboni® ice resurfacing machine are registered trademarks of Frank J. Zamboni & Co., Inc.

MODEL 440
MODEL 445
MODEL 446

These references should be considered as approximate so for accurate measurements, you should examine and measure the machine you intend to wrap/decals.

Following are some of the notable differences between our 400 series machines:

- seat support assembly
- dash
- vertical auger housing motor mount
- fiberglass lid indents
- fiberglass side covers
- fuel tanks (LPG)

Some machines may have a plow mounting apparatus on the front which may obscure part of the front panel. The engine compartment grill(s) should not be covered with decals as it will cause the engine to overheat. All safety labels should be left uncovered or replaced once the wrap/decals is in place.

Should you have any questions, please feel free to contact us.

ZAMBONI

©Zamboni Company. ZAMBONI and the configuration of the Zamboni® ice resurfacing machine are registered trademarks of Frank J. Zamboni & Co., Inc.

MODEL 440
MODEL 445
MODEL 446