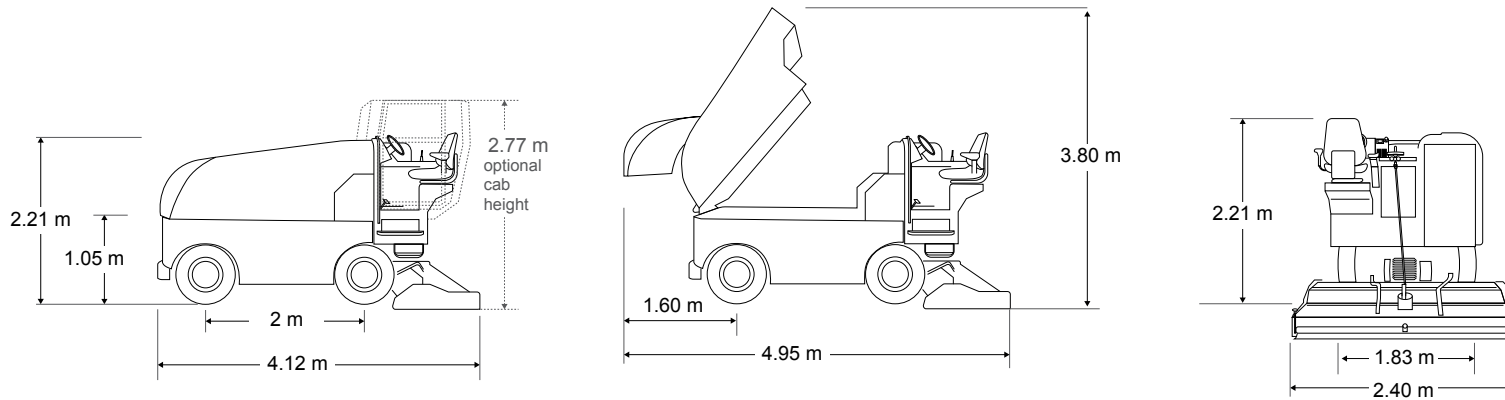


IZO MODEL **612** ELECTRIC



CAPACITIES

Snow Tank

Actual Volume	3.20 m ³	113 cu. ft.
Compacted	4 m ³	141 cu. ft.

Water

Ice Making (larger tank optional)	850 (1000) L	224.5 (264.2) gal.
Wash Water	400 L	106 gal.
Total	1250 L	330 gal.

Hydraulic Oil	22 L	5.8 gal.
----------------------	------	----------

POWERTRAIN

Four-Wheel Drive

Motors

Four Electric Wheel (traction) Motors	3.25 kW	4 HP
Electric Hydraulic Pump Motor	3 kW	4 HP
Two Electric Auger Motors	9 kW	12 HP
Total Energy Consumption of all Motors	34 kW	46 HP

Battery	625 Ah or 775 Ah (optional) 80 V
----------------	----------------------------------

Axles

Front	7000 kg	15432 lb
Rear	7000 kg	15432 lb

Brakes	Full Hydrodynamic Braking with Front and Rear Drum Brakes
---------------	---

DIMENSIONS

Overall	L	W	H	L	W	H
Snow Tank Down	4.12 m	2.40 m	2.21 m	162 in.	94 in.	87 in.
Snow Tank Up	4.95 m	2.40 m	3.80 m	195 in.	94 in.	150 in.

Shaving Blade

	L	W	H	L	W	H
220 cm 86.6 in. Blade	220 cm	12.7 cm	1.27 cm	86.6 in.	5 in.	0.5 in.
243.8 cm 96 in. Blade	243.8 cm	12.7 cm	1.27 cm	96 in.	5 in.	0.5 in.

Clearance

Minimum Operator Height Clearance	2.31 m	91 in.
Snow Pit Clearance	105 cm	41.3 in.

Conveyor System

Horizontal Auger Diameter	25.4 cm	10 in.
Vertical Auger Diameter	25.4 cm	10 in.
Auger Length	218.4 cm	86 in.

Manueverability

Wheelbase	2.00 m	78.7 in.
Wheel Track	1.80 m	70.9 in.
Turning Radius at Conditioner	3.85 m	12.6 ft.

Weight

Empty	5130 kg	11310 lb
with Water	6380 kg	14065 lb



Enclosed Cab

The enclosed operator cab provides protection from the elements and a safe, comfortable working space. *optional equipment



Zamboni Connect™ System

Monitor consumption and optimize performance with predictive insight and resource management. *optional equipment



Blade Change Assistant

Allows operators to complete a safe and easy blade installation or removal without touching the exposed blade. *optional equipment

IZO MODEL
612
ELECTRIC

STANDARD FEATURES

2 Year Warranty
Adjustable Steering Wheel
Auto Ice Button for an Automated Start and Stop to All Resurfacing Processes
Automated Wash Water Pump Start
Automatic Snow Breaker
Backup Alarm
Battery Watering System
Battery: Lead Acid with 5 Year Warranty
Blade Change Ease of Access From Above
Brushless AC Motors and Controls
Charger Adjusted to Customer Specs and Microprocessor Controlled
Chassis: Strong All Welded Steel Tubing
Closed Wash Water System
Dual Auger Startup
Dynamic Stability and Traction Control
Electric Water Valve Operation
Electric Wheel Motors

Emergency Stop Button
Ergonomic Blade Adjustment Wheel
Four-Wheel Drive
Galvanized Steel Frame Rear Swing Axle
Guide Wheel
Hydraulic All Wheel Braking
Hydraulic Oil Vacuum Pump
Fiberglass Hydraulic Snow Tank Lid
Ice Making Water Level Gauge
Integrated Snow Tank Safety Stand
Led Headlights And Tail Light
Automatic / Manual Ice Making Water Control
Non-Stick Snow Tank Liner
On-Dash Digital System Performance Display
On-Dash View of Wash Water Return Flow
Parking Brake
Power Cylindrical Board Brush

Power Steering
Premium Adjustable / Heated Seat
Premium Spreader Towel
Preset Speed Options For Ice Maintenance, Ice Hockey And Bandy
Replaceable Conditioner Runners
Replaceable Poly Conditioner Side Plates
Safety Valve on Hydraulic Cylinders for Snow Tank and Conditioner
Snow Tank Light and View Panel
Spare Tire and Wheel
Speed-Related Ice Making Water System
Stainless Steel Wash and Ice Making Water Tank
Stainless Steel Water Distribution Pipe
Steering Wheel Spinner Knob
Tire Wash System and Studded Tires
Transparent Auger Viewing Panels
Variable Auger Speed Based on Water Flow

Wash Water Level Gauge
Wash Water to IMW Transfer System
Zamboni Connect Dashboard with Digital Reference Materials and Maintenance Log

OPTIONS

1000 L Ice Making Water Tank
Auger Washout System
Automated Towel Bar Lift Raises Towel When Water Is Turned Off
[Blade Change System](#)
Cab
Conditioner: 96"
Front Camera
Machine-Mounted Edger
Seatbelt
Spray Boom
Touch Up Paint Kit