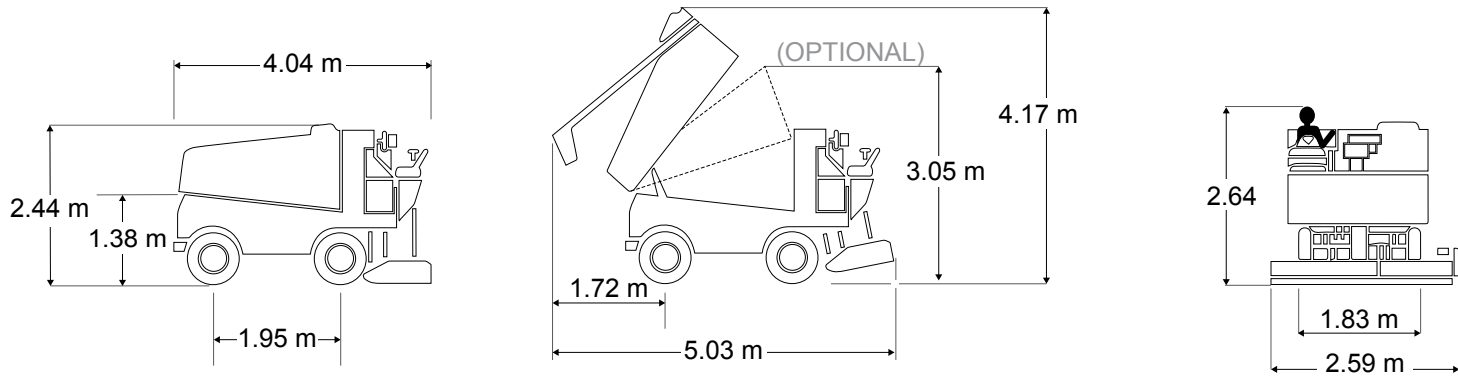


MODEL 700



CAPACITIES

Snow Tank		
Actual Volume	3.54 m ³	125 cu. ft.
Compacted	4.53 m ³	160 cu. ft.
Excess Water	662 L	175 gal.
Water		
Ice Making	1514 L	400 gal.
Wash Water	416 L	110 gal.
Total	1930 L	510 gal.
Hydraulic Oil	125 L	33 gal.

POWERTRAIN

Four-Wheel Drive	
Engine	GM® 4.3 L Six Cylinder Engine 75 kW / 100 HP at 2800 RPM
Transmission	Continuously variable hydrostatic pump and motor are axial-piston type.
Hydraulics	Double pump powers the vertical and horizontal augers. Hydraulic down pressure for optimal resurfacing results.
Axles	Rugged Dana Spicer® Model 70 Axles
Brakes	Full Hydrodynamic Braking

DIMENSIONS

Overall	L	W	H	L	W	H
Snow Tank Down	4.04 m	2.59 m	2.44 m	159 in.	102 in.	96 in.
Snow Tank Up	5.03 m	2.59 m	4.17 m	198 in.	102 in.	164 in.
Shaving Blade	L	W	H	L	W	H
	243.8 cm	12.7 cm	1.27 cm	96 in.	5 in.	0.5 in.
Clearance						
Minimum Operator Height Clearance			264.2 cm			104 in.
Snow Pit Clearance			1.38 m			54.5 in.
Conveyor System						
Horizontal Auger Diameter			25.4 cm			10 in.
Vertical Auger Diameter			25.4 cm			10 in.
Manueverability						
Wheelbase			1.96 m			77 in.
Wheel Track			1.83 m			72 in.
Turning Radius at Conditioner			6.1 m			20 ft.
Weight						
Empty			4273 kg			9420 lb
with Water			6214 kg			13700 lb

MODEL 700



Galvanized Conditioner

Durable galvanized steel provides a scratch-free finish with protection from rust.

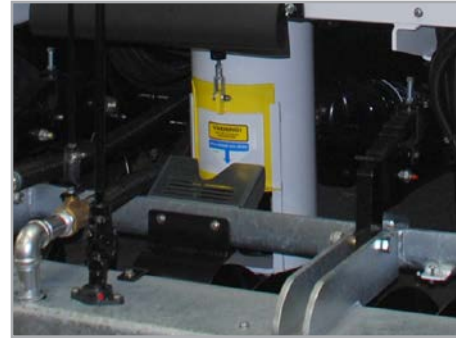
*optional equipment



Zamboni Power Brush™

Wider brush path reaches higher on the dasher board kick plate for superior cleaning power.

*optional equipment



Automatic Snow Breaker

Eliminates the need for manual control of the snow breaker by the machine operator.

*optional equipment

STANDARD FEATURES

2 Year Warranty
400 Micron Wash Water Deep Filter Bag
Aluminum Alloy Wheels
Chassis: Strong All Welded Steel Tubing
Conditioner Safety Guards
Digital Training and Reference Materials
Engine: EPA and CARB Certified
Familiar Automobile-Style Foot Controls
Four-Wheel Drive
Fuel Options: Gasoline, Propane
Full Hydrodynamic Braking
Galvanized Steel Ice Making Water Tank
Guide Wheel
Headlights and Tail Light (for Off Ice Travel)
High Quality 9 and 10 Micron Filters
High Speed Vertical Auger
Hydraulic Oil Level Sight Gauge
Load Sensing Engine Governor
Multi-Function Display

On-Dash Diagnostics
Parking Brake
Power Steering
Replaceable Poly Conditioner Side Plates
Rugged Dana Spicer® Axles
Snow Tank Safety Stand
Spare Tire and Wheel
Stainless Steel Hardware
Steering Wheel Spinner Knob
Touch-Up Paint Kit
Tungsten Carbide Studded Tires
Under Seat Storage
Wide Spectrum of Premium Automotive Paint Colors

OPTIONS

Automatic Snow Breaker
Back Up Alarm
Cab Enclosure
Conditioner: Galvanized
Electric Water Level Gauge
Hydraulic Oil Cooler Kit
IceCaps® Wheel Advertising System
Low Fuel Light
Snow Melting Kit
Snow Tank Dump Height Restriction
Snow Tank Light
Tire Wash System
Wash Water to Ice Making Water Transfer
[Zamboni Connect™ System](#)
Zamboni Power Brush™ Board Brush System