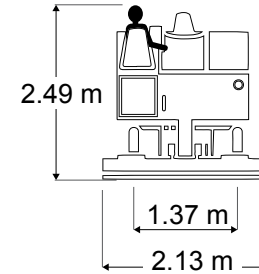
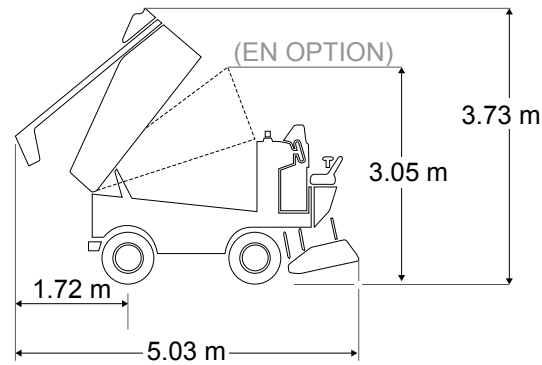
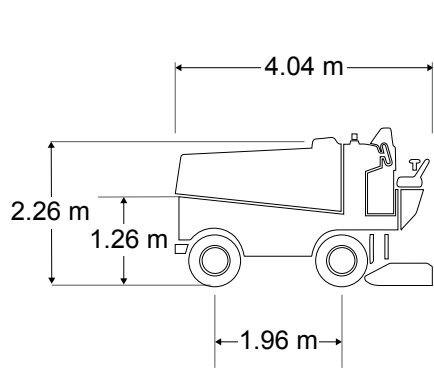


**MODEL  
552<sup>AC</sup>  
LITHIUM-ION**



**CAPACITIES**

**Snow Tank**

Actual Volume	2.83 m <sup>3</sup>	100 cu. ft.
Compacted	3.54 m <sup>3</sup>	125 cu. ft.

**Water**

Ice Making	738 L	195 gal.
Wash Water	310 L	82 gal.
Total	1048 L	277 gal.

<b>Hydraulic Oil</b>	60.6 L	16 gal.
----------------------	--------	---------

**POWERTRAIN**

Four-Wheel Drive

**Motors**

Electric Hydraulic Pump Motor	8.2 kW	11 HP
Electric Traction Motor	17.9 kW	24 HP

<b>Battery</b>	83.2V, 210 Ah / 315 Ah	Lithium-ion (Li)
----------------	------------------------	------------------

**Axles**

Front	2903 kg	6400 lb
Rear	2903 kg	6400 lb

**DIMENSIONS**

**Overall**

	L	W	H	L	W	H
Snow Tank Down	4.04 m	2.13 m	2.26 m	159 in.	84 in.	89 in.
Snow Tank Up	5.03 m	2.13 m	3.73 m	198 in.	84 in.	147 in.

**Shaving Blade**

	L	W	H	L	W	H
195.6 cm   77 in. Blade	195.6 cm	12.7 cm	1.27 cm	77 in.	5 in.	0.5 in.

**Clearance**

Minimum Operator Height Clearance	248.9 cm	98 in.
Snow Pit Clearance	125.7 cm	49.5 in.

**Conveyor System**

Horizontal Auger Diameter	25.4 cm	10 in.
Vertical Auger Diameter	25.4 cm	10 in.

**Manueverability**

Wheelbase	1.96 m	77 in.
Wheel Track	1.37 m	54 in.
Turning Radius at Conditioner	4.87 m	16 ft.

**Weight**

Empty with Lithium-ion battery	3311 kg	7300 lb
with Water with Lithium-ion battery	4037 kg	8900 lb



### FASTICE® Ice Making System

Create superior ice with a computer controlled pump for an even and accurate fine mist water application. \*optional equipment



### Level-Ice® Laser Leveling System

Automated precision blade control provides consistently level ice and significant savings of energy, water and time. \*optional equipment



### Zamboni Connect™ System

Monitor consumption and optimize performance with predictive insight and resource management. \*optional equipment



## STANDARD FEATURES

2 Year Warranty  
 400 Micron Wash Water Deep Filter Bag  
 Aluminum Alloy Wheels  
 Battery: Lithium-ion  
 Battery Charger: Microprocessor Controlled  
 Brushless AC Motors  
 Chassis: Strong All Welded Steel Tubing  
 Conditioner Safety Guards  
 Dependable Sevcon® Gen4 Solid State Controls  
 Digital Training and Reference Materials  
 Familiar Automobile-Style Foot Controls  
 Four-Wheel Drive  
 Guide Wheel  
 High Quality 9 Micron Filter  
 High Speed Vertical Auger  
 Hydraulic Oil Level Sight Gauge  
 LED Headlights and Tail lights

On-Dash Diagnostics  
 Parking Brake  
 Power Steering  
 Premium Polyester Felt Spreader Towel  
 Replaceable Poly Conditioner Side Plates  
 Rugged Dana Spicer® Axles  
 Rust-Free Poly Ice Making Water Tank  
 Snow Tank Safety Stand  
 Spare Tire and Wheel  
 Stainless Steel Hardware  
 Steering Wheel Spinner Knob  
 Touch Up Paint Kit  
 Tungsten Carbide Studded Tires  
 Variable Speed Electric Hydraulic Pump Motor  
 Wide Spectrum of Premium Automotive Paint Colors

## OPTIONS

Advanced Water System (AWS™)  
 Automatic Snow Breaker  
 Back Up Alarm  
[Blade Change System](#)  
 Cab Enclosure  
 Conditioner: 96" Blade  
 Conditioner: Galvanized  
 Electric Water Level Gauge  
[FastICE® Ice Making System](#)  
 IceCaps® Wheel Advertising System  
 Heated Ergonomic Comfort Design Seat
 

- Armrest
- Seatbelt

 Integrated Auger Washout System  
[Level-Ice®](#)  
 Low Guide Wheel  
 Seat Belt  
 Snow Melting Kit  
 Snow Tank Dump Height Restriction

Snow Tank Light  
 Stainless Steel Water Distribution Pipe  
 Tire Wash System  
 Wash Water to Ice Making Water Transfer  
 Wash Water System with Poly Tank  
 Water Level Sight Gauge  
 Zamboni Power Brush™ Board Brush System  
[Zamboni Connect™ System](#)