

Safety Labels:

- 1 81-2015G
- 2 81-2015A
- 3 81-2015N
- 4 81-2015P
- 5 81-2015G
- 6 81-2015F

Safety Labels

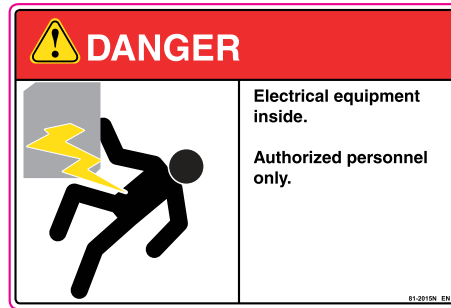
1 81-2015G



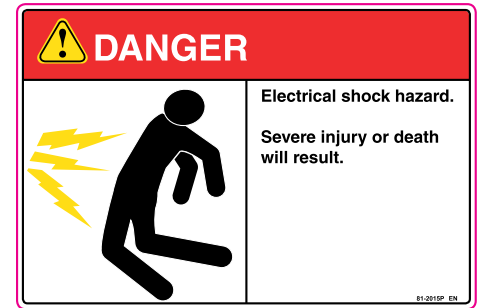
2 81-2015A



3 81-2015N



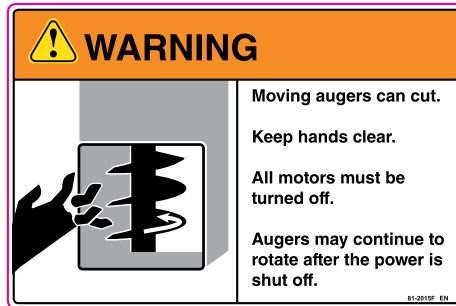
4 81-2015P

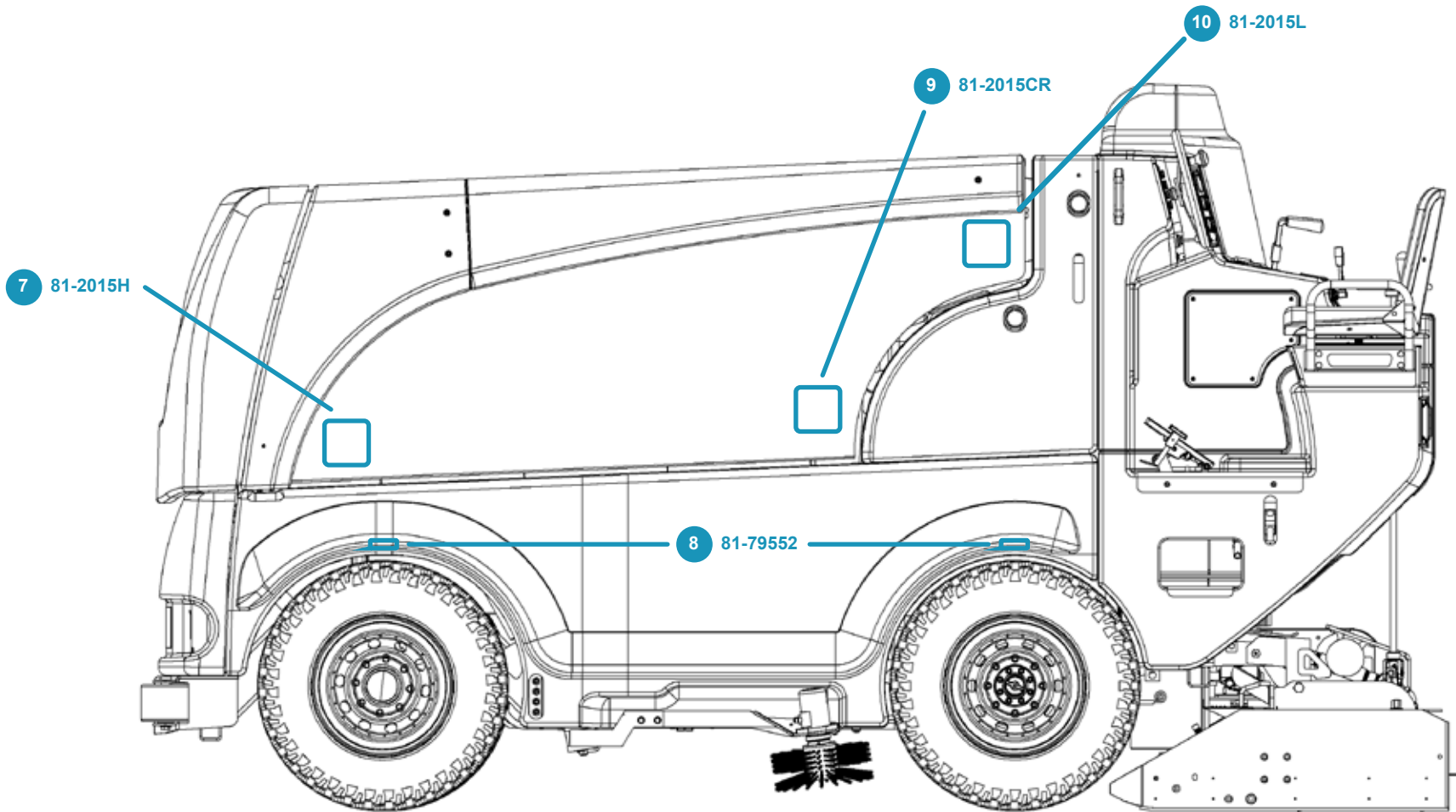


5 81-2015G



6 81-2015F



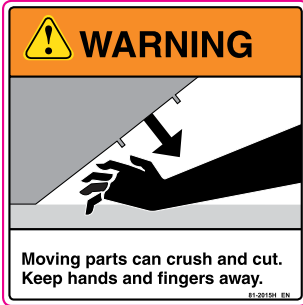


Safety Labels:

- 7** 81-2015H
- 8** 81-79552
- 9** 81-2015CR
- 10** 81-2015L

Safety Labels

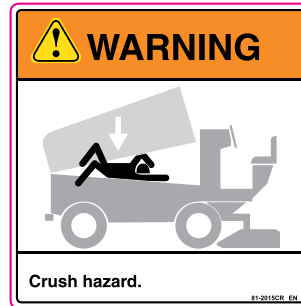
7 81-2015H



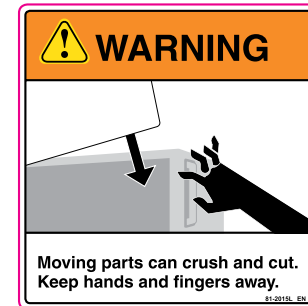
8 81-79952

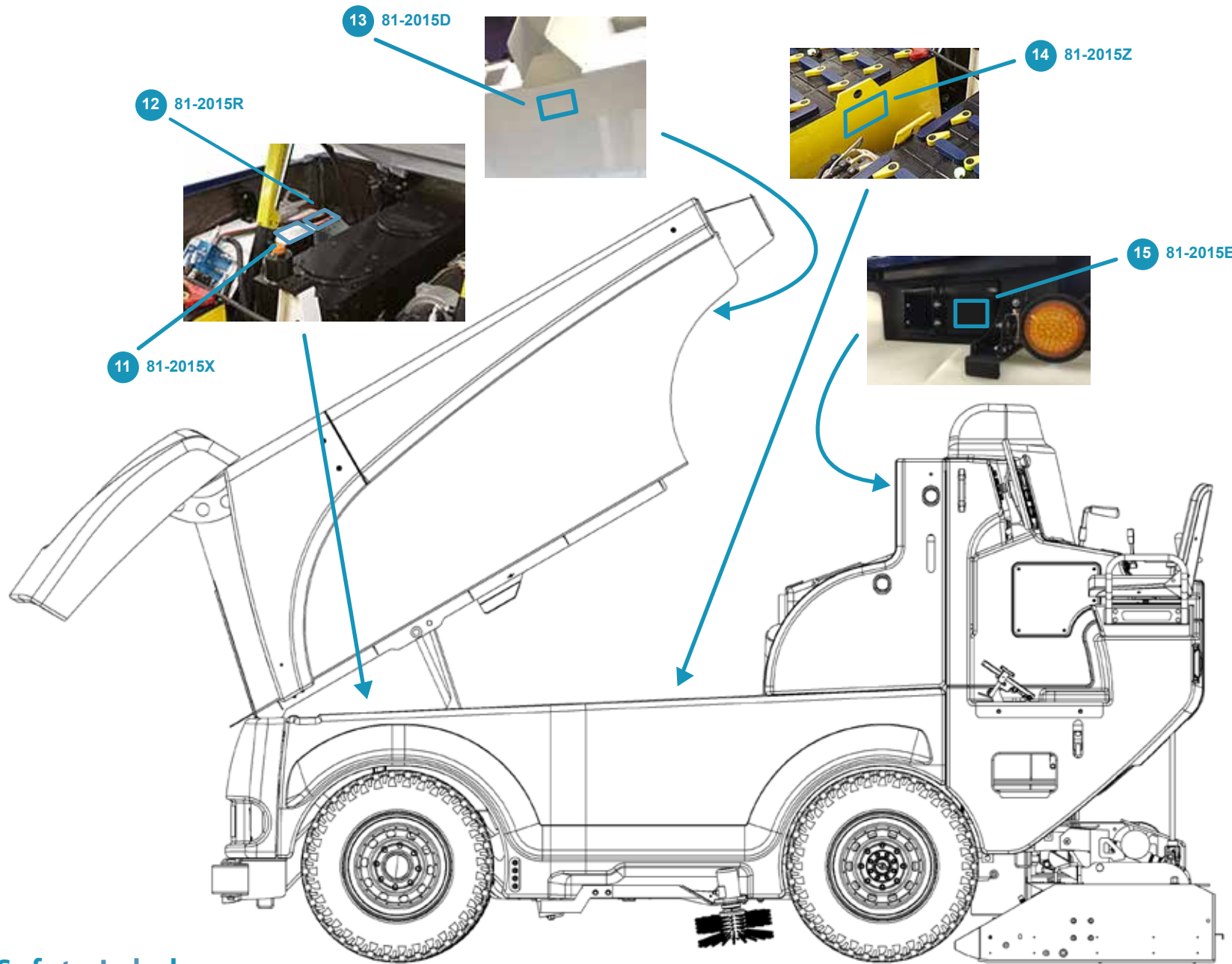
80 psi / 550 kPa
81-79952

9 81-2015CR



10 81-2015L





Safety Labels:

- 11 81-2015X
12 81-2015R
13 81-2015D
14 81-2015Z
15 81-2015E


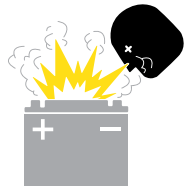
Safety Labels

11 81-2015X

SAFE OPERATING PROCEDURES
<ol style="list-style-type: none">1. Electric controls are to be serviced by authorized personnel only.2. Shut off charger before connecting or disconnecting batteries.3. Disengage battery connectors from machine connectors before attempting any service to motors or electric controls.4. Charge batteries in a well-ventilated area.



81-2015X EN

12 81-2015R

 DANGER	
	<p>Explosion hazard. Batteries emit gases. Keep flames and sparks away from battery compartment.</p>

81-2015R EN

13 81-2015D

 WARNING	
	<p>Moving augers can cut. Keep hands clear. All motors must be turned off. Augers may continue to rotate after the power is shut off.</p>


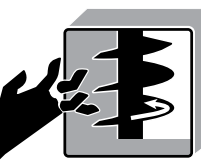
81-2015D EN

14 81-2015Z

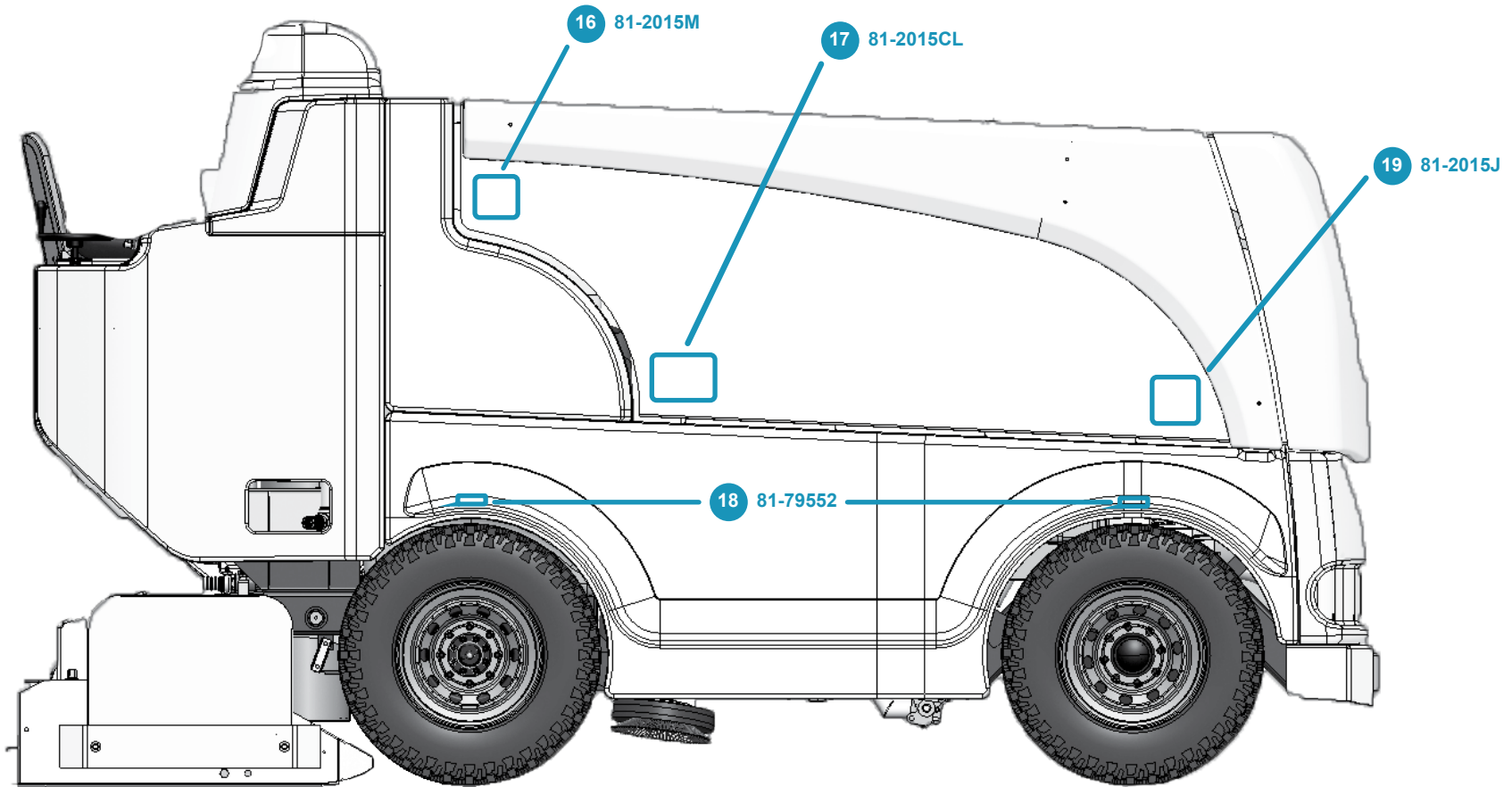
NOTICE
<p>Improper battery operation and service will void battery warranty. Refer to the operation manual for correct battery operation and service procedures.</p>

81-2015Z EN

15 81-2015E

 WARNING	
	<p>Moving augers can cut. Keep hands clear. All motors must be turned off. Augers may continue to rotate after the power is shut off.</p>

81-2015E EN

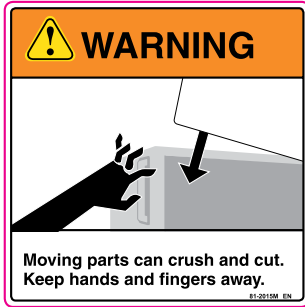


Safety Labels:

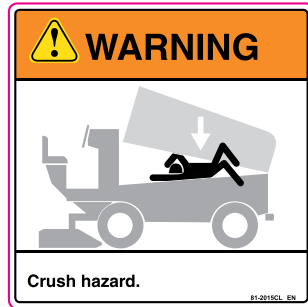
- 16 81-2015M 17 81-2015CL 18 81-79552 19 81-2015J

Safety Labels

16 81-2015M



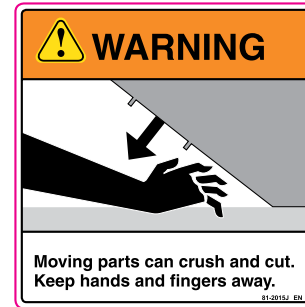
17 81-2016CL

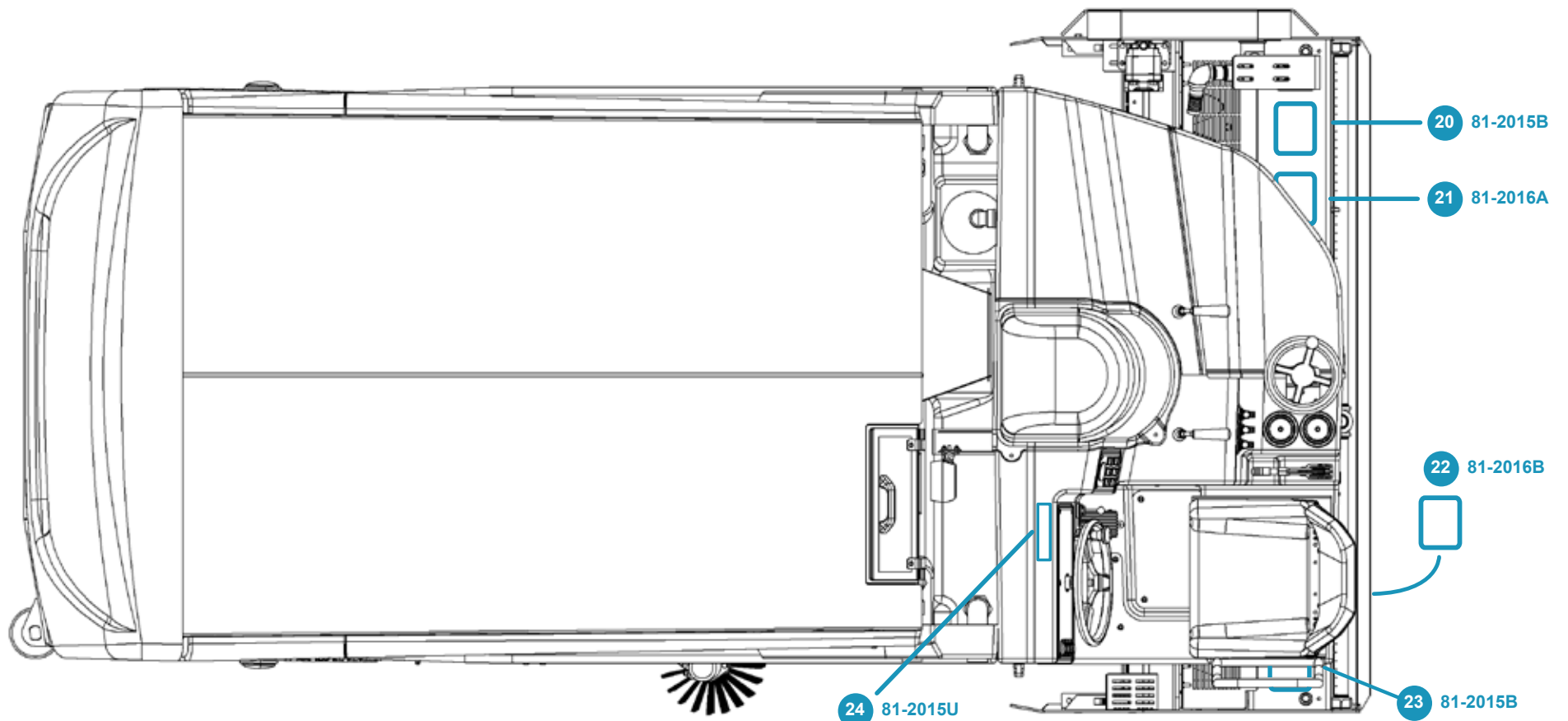


18 81-79952



19 81-2015J





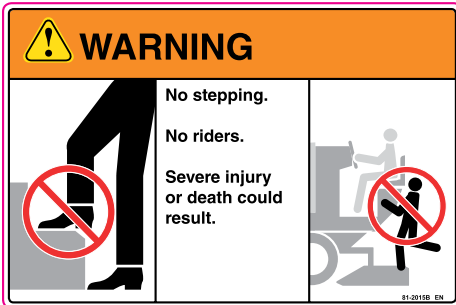
Safety Labels:

- 20 81-2015B
- 21 81-2016A
- 22 81-2015B
- 23 81-2015B
- 24 81-2016U

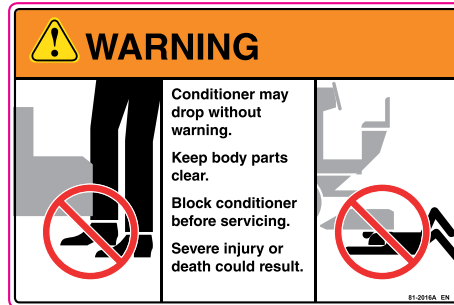
Top View Detail Diagram

Safety Labels

20 81-2015B



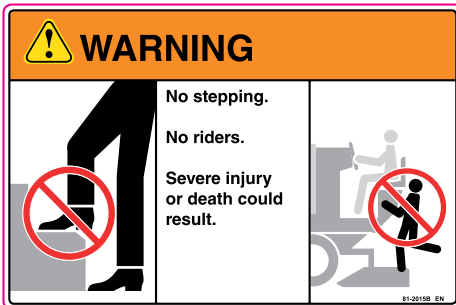
21 81-2016A



22 81-2016B



23 81-2015B



24 81-2015U

