



# ZAMBONI®

## CIRCLE CHECK LIST

### Fuel Machines

The overall objective of the “circle check” is to evaluate the ice resurfacer and its systems, as well as the environment in which it will be operated.

#### **Table of Contents:**

- General Circle Check
- Circle Check Detail
- Front / Rear View Detail Diagram
- Side View Detail Diagram
- Top View Detail Diagram

#### **General Circle Check:**

- **Auger Systems** should be in good condition and free of snow, ice or obstructions
- **Fuel Supply** should be assessed prior to resurfacing
- **Towel** should be clean and free of tears
- **Squeegee** should not have tears or cracks and should have a snug fit from end to end
- **Ice Making Water** supply should be sufficient for resurfacing and have steady and even distribution from the pipe
- **Wash Water** should have steady flow and a clean basket/bag
- **Board Brush** should be firmly attached to the unit and show no signs of damage
- **Basic Fluid Levels** should be sufficient and not in need of change
- **Belts and Hoses** should be tight fitting without wear and with no signs of aging / leaking or any other need for replacement
- **Oil and Filters** should be monitored for replacement as recommended by the machine’s service manual
- **Grease Horizontal Auger Bearings** on a daily basis
- **Drain Water Tanks** at the end of each day
- **Fuel Supply** should be turned off at the end of each day for fuel powered machines
- **Ventilation System** should be on and active and air quality tests should be performed per the facility’s schedule
- **Check Under / Around / Behind** resurfacer and observe the condition of the path into and out of the ice resurfacer storage area
- **Snow Pit / Dumping Area** condition and path to/from the area
- **Evaluate Consumables** such as fluids and parts which may be show-stoppers if not on hand



# ZAMBONI

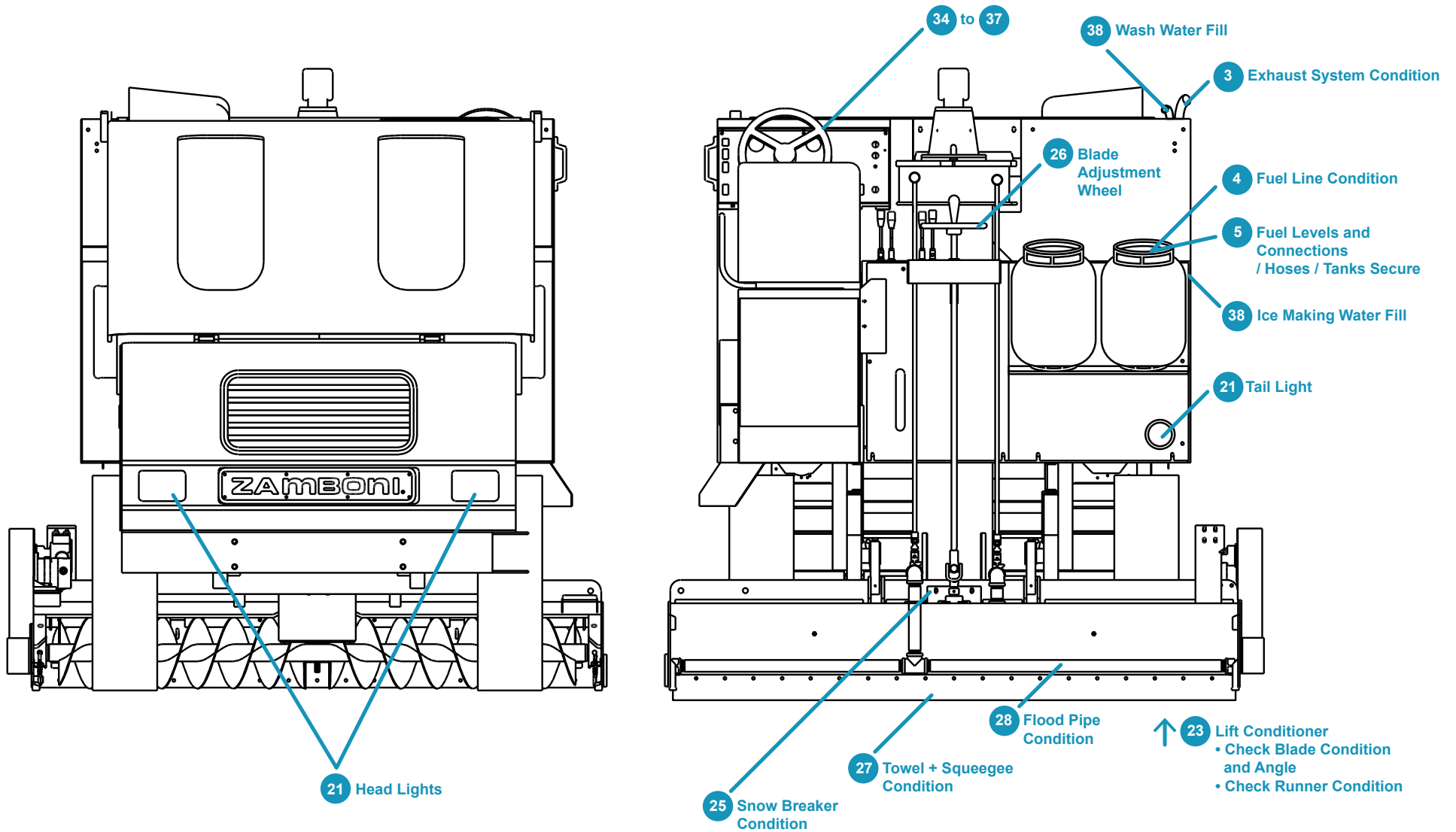
## CIRCLE CHECK LIST

### Fuel Machines

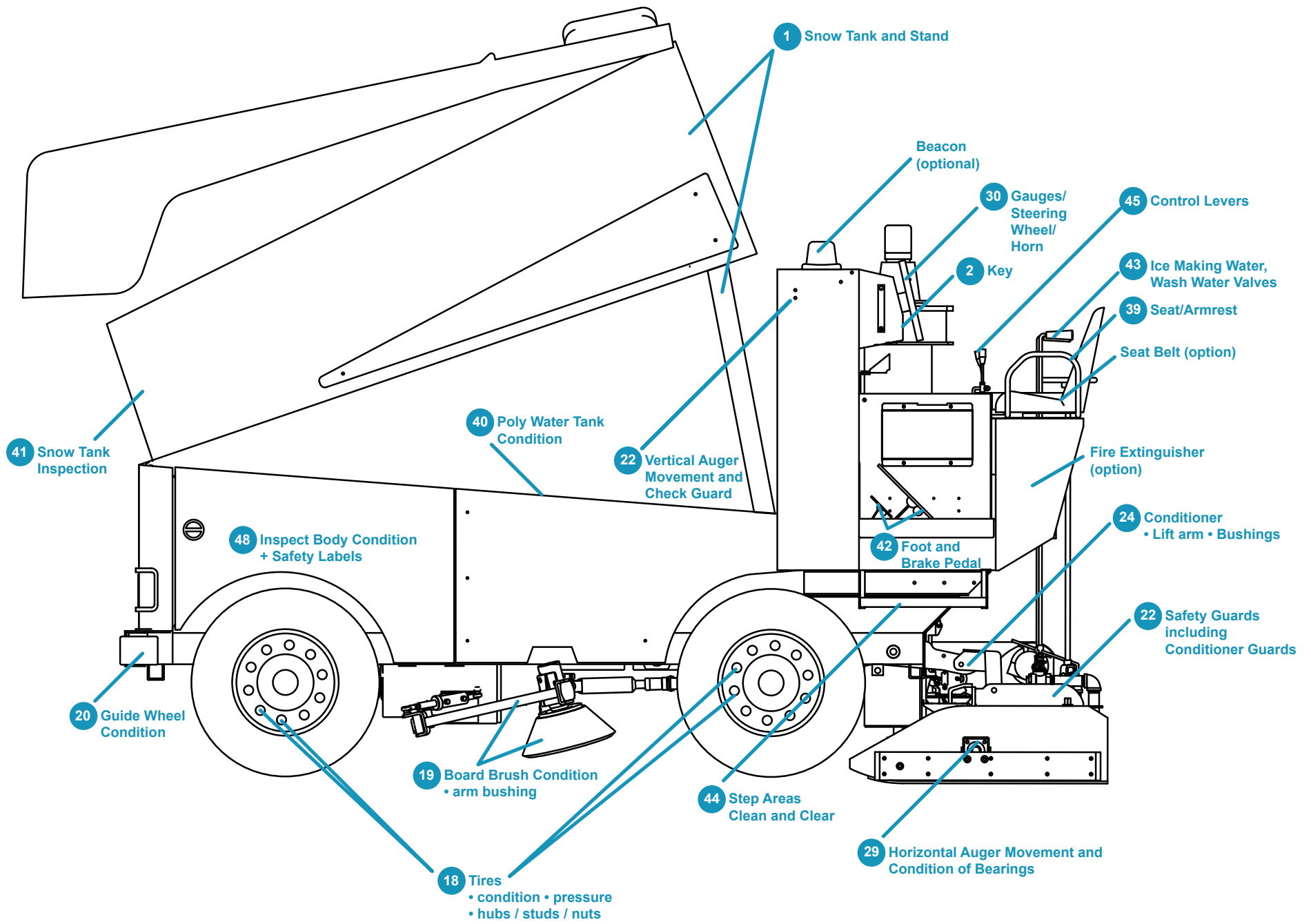
#### Circle Check Detail:

1. Tank Up and Snow Tank Safety Stand in Place
2. Key out of Ignition and Secure in your Possession
3. Exhaust System Condition
4. Fuel Line Condition
5. Fuel levels and Connections/Hoses/Tanks Secure
6. Belts
7. Snow Tank Seal
8. Hydraulic Hoses and Couplers
9. Battery and Cables
10. Spark Plugs
11. Radiator and Radiator Hoses
12. Air Filter
13. Leaf Springs
14. Brake Lines
15. Fluid Levels
16. Hydraulic Bypass Open or Closed
17. U joints
18. Tires (Condition and Pressure) / Hubs / Studs / Nuts
19. Board Brush Condition/Arm Bushing
20. Guide Wheel Condition
21. Head Lights / Tail Light
22. Vertical Auger Movement and Check Guard
23. Lift Conditioner to Observe Blade and Runner Condition
24. Conditioner / Lift Arm / Bushings
25. Snow Breaker Condition
26. Blade Adjustment Wheel
27. Towel and Squeegee Condition
28. Flood Pipe Condition
29. Horizontal Auger Movement and Condition of Bearings
30. Gauges / Steering Wheel / Horn
31. Blade Bar
32. Conditioner Leaf Springs
33. Auger Flighting
34. Hour Meter Reading
35. Voltmeter
36. Temperature
37. Tachometer
38. Water Fill
39. Seat / Armrest
40. Poly Water Tank Inspection
41. Snow Tank Inspection
42. Brake and Brake Pedal
43. Ice Making Water and Wash Water Valves
44. Step Areas Clean and Clear
45. Control Levers
46. Wash Water Pump
47. Conveyor Drive Belt and Chain
48. Inspect Body Condition and Safety Labels
49. Hydraulic Oil Level
  - Exhaust Shield (Canadian Models)
  - Fire Extinguisher (option)
  - Beacon Light (option)
  - Backup Alarm (option)
  - Tire Wash Water (option)
  - Seatbelt (option)

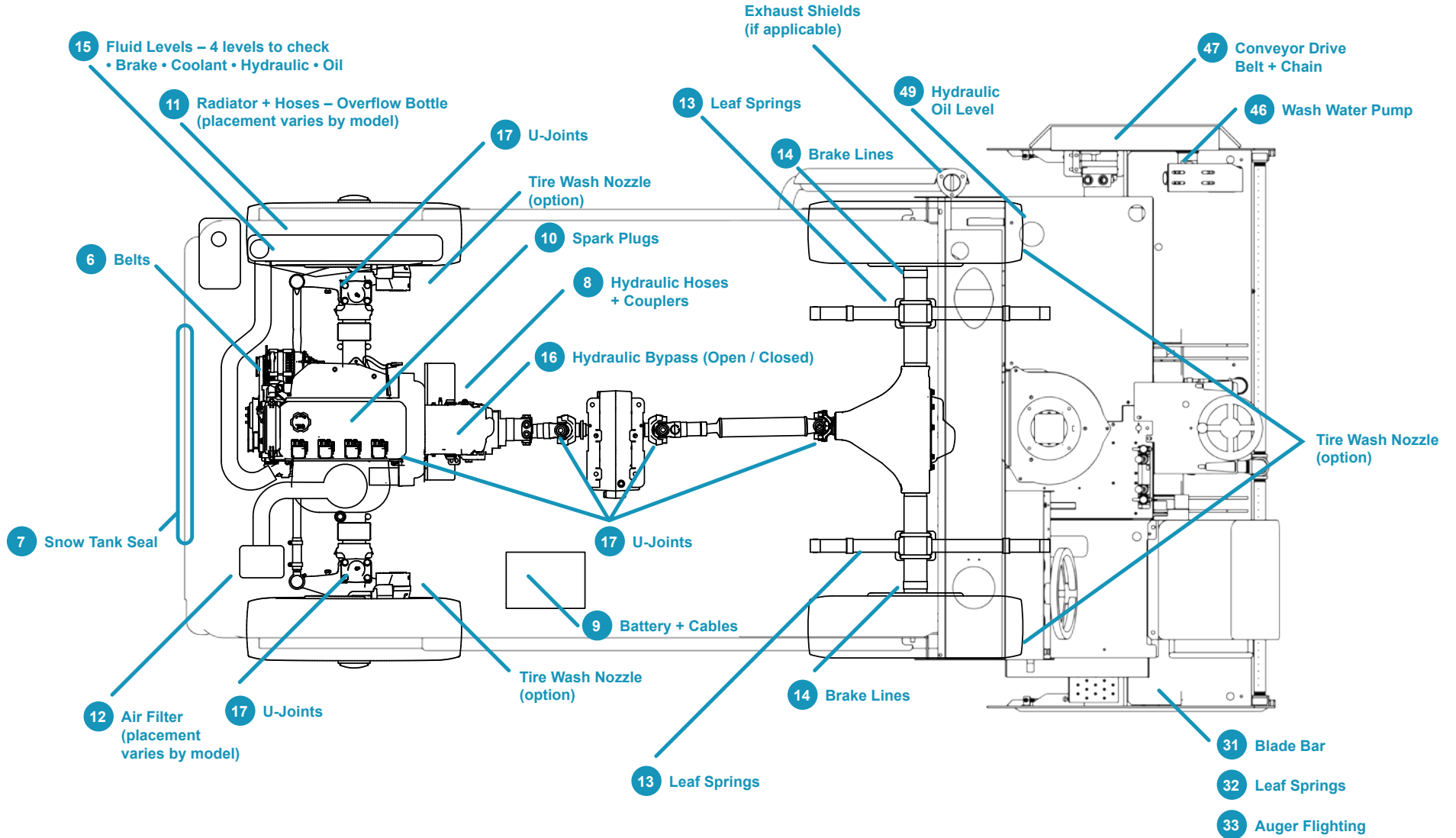
This list is not intended to be a comprehensive checklist and was created as a general guideline to encourage the circle check routine, based on a variety of machine models and features. Your machine model, features and options may vary and those specific items requiring attention should be added to your facility's checklist and circle check routine.



ZAMBONI and the configuration of the Zamboni® ice resurfacing machine are registered trademarks of Frank J. Zamboni & Co., Inc. © Zamboni 2019



ZAMBONI and the configuration of the Zamboni® ice resurfacing machine are registered trademarks of Frank J. Zamboni & Co., Inc. © Zamboni 2019



ZAMBONI and the configuration of the Zamboni® ice resurfacing machine are registered trademarks of Frank J. Zamboni & Co., Inc. © Zamboni 2019