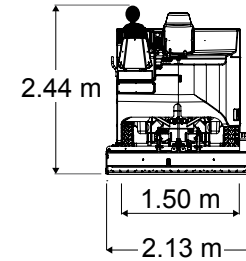
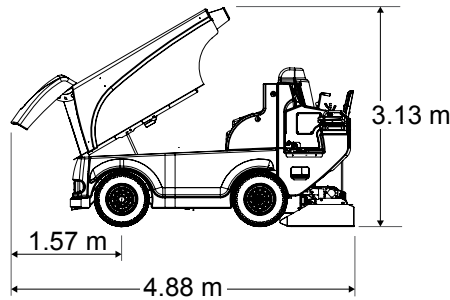
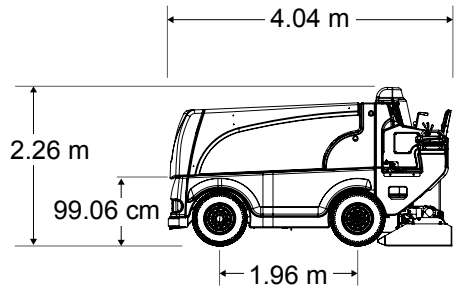


# MODEL 650 ELECTRIC



## CAPACITIES

### Snow Tank

Actual Volume	3.0 m <sup>3</sup>	106 cu. ft.
Compacted	3.74 m <sup>3</sup>	132 cu. ft.

### Water

Ice Making	757 L	200 gal.
Wash Water	227 L	60 gal.
Total	984 L	260 gal.

<b>Hydraulic Oil</b>	91 L	24 gal.
----------------------	------	---------

## POWERTRAIN

Four-Wheel Drive

### Motors

AC Hydraulic Pump Motor	8.2 kW	11 HP
AC Traction Motor	17.9 kW	24 HP

<b>Battery</b>	Accommodates a variety* of battery options up to 770Ah	
----------------	--	--

### Axles

Front	2717 kg	5990 lb
Rear	4159 kg	9170 lb

## DIMENSIONS

### Overall

	L	W	H	L	W	H
Snow Tank Down	4.04 m	2.13 m	2.26 m	159 in.	84 in.	89 in.
Snow Tank Up	4.88 m	2.13 m	3.13 m	192 in.	84 in.	123 in.

### Shaving Blade

	L	W	H	L	W	H
195.6 cm   77 in. Blade	195.6 cm	12.7 cm	1.27 cm	77 in.	5 in.	0.5 in.

### Clearance

Minimum Operator Height Clearance		243.8 cm	96 in.
Snow Pit Clearance		99.06 cm	39 in.

### Conveyor System

Horizontal Auger Diameter	25.4 cm	10 in.
Vertical Auger Diameter	25.4 cm	10 in.

### Manueverability

Wheelbase	1.96 m	77 in.
Wheel Track	1.50 m	59 in.
Turning Radius at Conditioner	4.83 m	15 ft. 10 in.

### Weight

Empty	4853 kg	10700 lb
with Water	5670 kg	12500 lb



### Automatic Snow Breaker

Eliminates the need for manual control of the snow breaker by the machine operator.

\*optional equipment



### Zamboni Power Brush™

Wider brush path reaches higher on the dasher board kick plate for superior cleaning power.



### Ergonomic Seat

Designed with the operator in mind, our premium seat has optimal adjustability.

\*optional equipment

**MODEL  
650  
ELECTRIC**

## STANDARD FEATURES

- 2 Year Warranty
- 400 Micron Wash Water Deep Filter Bag
- Aluminum Alloy Wheels
- Automatic Snow Breaker
- Battery Charger: Microprocessor Controlled
- Brushless AC Motors
- Chassis: Strong All Welded Steel Tubing
- Conditioner Safety Guards
- Dependable Sevcon® Gen4 Controls
- Digital Training and Reference Materials
- Dual Water Fill Pipes
- Electric Water Level Gauge
- Familiar Automobile-Style Foot Controls
- Four-Wheel Drive
- Guide Wheel
- Headlights and Tail Light (for off ice travel)
- High Quality 9 Micron Filter
- High Speed Vertical Auger
- Hydraulic Oil Level Sight Gauge
- On-Dash Diagnostics
- Operator Area Storage Bins
- Parking Brake
- Power Steering
- Premium Polyester Felt Spreader Towel
- Replaceable Poly Conditioner Side Plate
- Rugged Dana Spicer® Axles
- Rust-Free Poly Ice Making Water Tank
- Rust-Free Poly Wash Water Tank
- Single Point Battery Watering System
- Snow Tank Maintenance Support
- Spare Tire and Wheel
- Stainless Steel Water Distribution Pipe
- Steering Wheel Spinner Knob
- Touch-Up Paint Kit
- Tungsten Carbide Studded Tires
- Wide Spectrum of Premium Automotive Paint Colors
- Zamboni Power Brush™ Board Brush System

## OPTIONS

- Advanced Water System (AWS™)
- Back Up Alarm
- Blade Change System
- Board Spray
- Conditioner: 96" Blade
- Conditioner: Galvanized
- Heated Ergonomic Comfort Design Seat
  - Armrest
  - Seatbelt
- IceCaps® Wheel Advertising System
- Rotating Beacon Light
- Snow Tank Light
- Tire Wash System
- Wash Water to Ice Making Water Transfer
- Zamboni Connect™ System

**ZAMBONI®**

Some features described or shown may be optional at extra cost and prices, colors, materials, specifications and models are subject to change. Some options are required in combination with other options. ZAMBONI and the configuration of the Zamboni® ice resurfacing machine are registered trademarks of Frank J. Zamboni & Co., Inc. © Zamboni 2018

Rev 04/2018