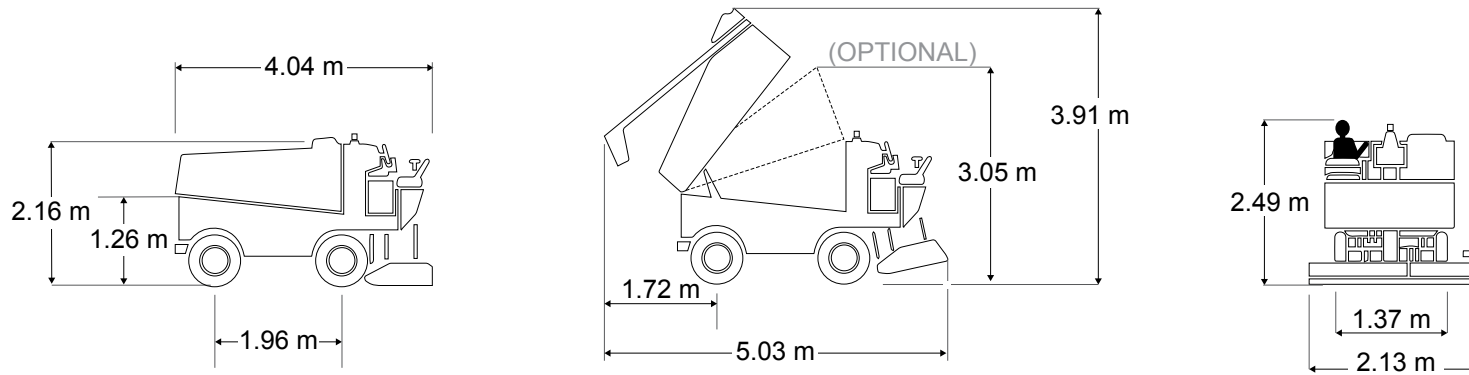


# MODEL 552 ELECTRIC



CAPACITIES		
<b>Snow Tank</b>		
Actual Volume	2.83 m <sup>3</sup>	100 cu. ft.
Compacted	3.54 m <sup>3</sup>	125 cu. ft.
<b>Water</b>		
Ice Making	738 L	195 gal.
Wash Water	310 L	82 gal.
Total	1048 L	277 gal.
<b>Hydraulic Oil</b>	87 L	23 gal.
POWERTRAIN		
Four-Wheel Drive		
<b>Motors</b>		
Electric Hydraulic Pump Motor	6.0 kW	8.0 HP
Electric Traction Motor	13.0 kW	17.5 HP
<b>Battery</b>	80V, 510 Ah Standard	
<b>Axles</b>		
Front	2903 kg	6400 lb
Rear	2903 kg	6400 lb

DIMENSIONS						
<b>Overall</b>	<b>L</b>	<b>W</b>	<b>H</b>	<b>L</b>	<b>W</b>	<b>H</b>
Snow Tank Down	4.04 m	2.13 m	2.16 m	159 in.	84 in.	85 in.
Snow Tank Up	5.03 m	2.13 m	3.91 m	198 in.	84 in.	154 in.
<b>Shaving Blade</b>	<b>L</b>	<b>W</b>	<b>H</b>	<b>L</b>	<b>W</b>	<b>H</b>
195.6 cm   77 in. Blade	195.6 cm	12.7 cm	1.27 cm	77 in.	5 in.	0.5 in.
<b>Clearance</b>						
Minimum Operator Height Clearance			248.9 cm	98 in.		
Snow Pit Clearance			125.7 cm	49.5 in.		
<b>Conveyor System</b>						
Horizontal Auger Diameter			25.4 cm	10 in.		
Vertical Auger Diameter			25.4 cm	10 in.		
<b>Manueverability</b>						
Wheelbase			1.96 m	77 in.		
Wheel Track			1.37 m	54 in.		
Turning Radius at Conditioner			4.87 m	16 ft.		
<b>Weight</b>						
Empty			4423 kg	9750 lb		
with Water			5148 kg	11350 lb		



**Advanced Water System — AWS™**  
Regulates amount of water dispensed onto the ice relative to machine speed for efficient and even application. \*optional equipment



**Zamboni Power Brush™**  
Wider brush path reaches higher on the dasher board kick plate for superior cleaning power. \*optional equipment



**Integrated Auger Washout System**  
Simplifies the vertical and horizontal auger washout task, from a single point on the conditioner. \*optional equipment

# MODEL 552 ELECTRIC

## STANDARD FEATURES

- 2 Year Warranty
- 400 Micron Wash Water Deep Filter Bag
- Aluminum Alloy Wheels
- Battery Charger: Microprocessor Controlled
- Chassis: Strong All Welded Steel Tubing
- Conditioner Safety Guards
- DC Motors
- Dependable Sevcon® MOSFET Solid State Controls
- Digital Training and Reference Materials
- Electric Hydraulic Pump Motor with Programmable Step-Ups
- Familiar Automobile-Style Foot Controls
- Four-Wheel Drive
- Guide Wheel
- Headlights and Tail Light (for Off Ice Travel)
- High Quality 10 and 20 Micron Filters
- High Speed Vertical Auger
- Hydraulic Oil Level Sight Gauge

- Industry-Proven Lead Acid Batteries
- On-Dash Diagnostics
- Parking Brake
- Power Steering
- Premium Polyester Felt Spreader Towel
- Replaceable Poly Conditioner Side Plates
- Rugged Dana Spicer® Axles
- Rust-Free Poly Ice Making Water Tank
- Snow Tank Safety Stand
- Spare Tire and Wheel
- Stainless Steel Hardware
- Steering Wheel Spinner Knob
- Touch Up Paint Kit
- Tungsten Carbide Studded Tires
- Wide Spectrum of Premium Automotive Paint Colors

## OPTIONS

- Advanced Water System (AWS™)
- Automatic Snow Breaker
- Back Up Alarm
- Battery Watering Gun
- Battery Watering System
- [Blade Change System](#)
- Cab Enclosure
- Conditioner: 96" Blade
- Conditioner: Galvanized
- Electric Water Level Gauge
- IceCaps® Wheel Advertising System
- Integrated Auger Washout System
- Low Guide Wheel
- Seat Belt
- Snow Melting Kit
- Snow Tank Dump Height Restriction
- Snow Tank Light
- Stainless Steel Water Distribution Pipe
- Tire Wash System

- Wash Water to Ice Making Water Transfer
- Water Level Sight Gauge
- Zamboni Power Brush™ Board Brush System
- [Zamboni Connect™ System](#)